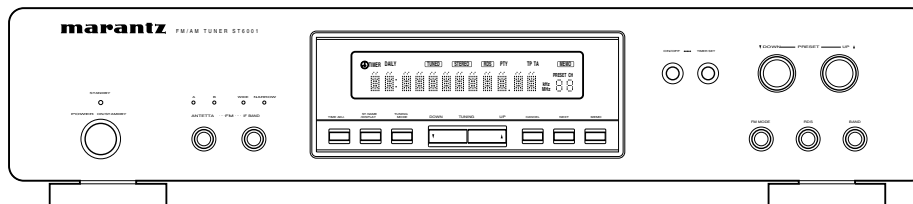


# Service Manual

ST6001 /N1B/N1S

FM / AM Tuner



## TABLE OF CONTENTS

SECTION	PAGE
1. TECHNICAL SPECIFICATIONS .....	1
2. WIRING DIAGRAM .....	3
3. BLOCK DIAGRAM .....	5
4. SCHEMATIC DIAGRAM.....	7
5. PARTS LOCATION.....	11
6. MICROPROCESSOR AND IC DATA.....	15
7. ADJUSTMENT PROCEDURE .....	19
8. EXPLODED VIEW AND PARTS LIST .....	21
9. ELECTRICAL PARTS LIST .....	24

Please use this service manual with referring to the user guide ( D.F.U. ) without fail.  
修理の際は、必ず取扱説明書を準備し操作方法を確認の上作業を行ってください。

# marantz®

## ST6001

Part no. 90M02CW855010  
First Issue 2006.02  
MZ

ST6001

## MARANTZ DESIGN AND SERVICE

Using superior design and selected high grade components, **MARANTZ** company has created the ultimate in stereo sound. Only original **MARANTZ** parts can insure that your **MARANTZ** product will continue to perform to the specifications for which it is famous.

Parts for your **MARANTZ** equipment are generally available to our National Marantz Subsidiary or Agent.

### ORDERING PARTS :

Parts can be ordered either by mail or by Fax.. In both cases, the correct part number has to be specified.

The following information must be supplied to eliminate delays in processing your order :

1. Complete address
2. Complete part numbers and quantities required
3. Description of parts
4. Model number for which part is required
5. Way of shipment
6. Signature : any order form or Fax. must be signed, otherwise such part order will be considered as null and void.

#### USA

**MARANTZ AMERICA, INC**  
1100 MAPLEWOOD DRIVE  
ITASCA, IL. 60143  
USA  
PHONE : 630 - 741 - 0300  
FAX : 630 - 741 - 0301

#### EUROPE / TRADING

**MARANTZ EUROPE B.V.**  
P. O. BOX 8744, BUILDING SILVERPOINT  
BEEMDSTRAAT 11, 5653 MA EINDHOVEN  
THE NETHERLANDS  
PHONE : +31 - 40 - 2507844  
FAX : +31 - 40 - 2507860

#### CANADA

**MARANTZ CANADA INC.**  
5-505 APPLE CREEK BLVD.  
MARKHAM, ONTARIO L3R 5B1  
CANADA  
PHONE : 905 - 415 - 9292  
FAX : 905 - 475 - 4159

#### AUSTRALIA

**QualiFi Pty Ltd,**  
24 LIONEL ROAD,  
MT. WAVERLEY VIC 3149  
AUSTRALIA  
PHONE : +61 - (0)3 - 9543 - 1522  
FAX : +61 - (0)3 - 9543 - 3677

#### THAILAND

**MRZ STANDARD CO., LTD**  
746 - 754 MAHACHAI ROAD.,  
WANGBURAPAPIROM, PHRANAKORN,  
BANGKOK, 10200 THAILAND  
PHONE : +66 - 2 - 222 9181  
FAX : +66 - 2 - 224 6795

#### SINGAPORE

**WO KEE HONG DISTRIBUTION PTE LTD**  
No.1 JALAN KILANG TIMOR  
#08-03 PACIFIC TECH CENTRE  
SINGAPORE 159303  
PHONE : +65 6376 0338  
FAX : +65 6376 0166

#### NEW ZEALAND

**WILDASH AUDIO SYSTEMS NZ**  
14 MALVERN ROAD MT ALBERT  
AUCKLAND NEW ZEALAND  
PHONE : +64 - 9 - 8451958  
FAX : +64 - 9 - 8463554

#### TAIWAN

**PAI- YUING CO., LTD.**  
6 TH FL NO, 148 SUNG KIANG ROAD,  
TAIPEI, 10429, TAIWAN R.O.C.  
PHONE : +886 - 2 - 25221304  
FAX : +886 - 2 - 25630415

#### MALAYSIA

**WO KEE HONG ELECTRONICS SDN. BHD.**  
2ND FLOOR BANGUNAN INFINITE CENTRE  
LOT 1, JALAN 13/6, 46200 PETALING JAYA  
SELANGOR DARUL EHSAN, MALAYSIA  
PHONE : +60 - 3 - 7954 8088  
FAX : +60 - 3 - 7954 7088

#### JAPAN

**D&M Holdings Inc.**  
D&M BUILDING, 2-1 NISSHIN-CHO,  
KAWASAKI-KU, KAWASAKI-SHI,  
KANAGAWA, 210-8569 JAPAN

株式会社 ディーアンドエムホールディングス

本社 〒210-8569  
神奈川県川崎市川崎区日進町2-1 D&Mビル

#### KOREA

**MARANTZ KOREA CO., LTD.**  
ROOM 604, ELECTRO OFFICE, 16-58,  
HANGGANG-RO 3GA, YONGSAN-KU,  
SEOUL, 140-013, KOREA  
PHONE : +82 - 2 - 323 - 2155  
FAX : +82 - 2 - 323 - 2154

#### CHINA

**MARANTZ SHANGHAI TRADING LTD.**  
ROOM.506 SHANGHAI LIGHT INDUSTRY MANSION  
1578 NANJING (WEST) ROAD SHANGHAI  
CHINA  
TEL : 021 - 6248 - 1064  
FAX : 021 - 6248 - 3565

### SHOCK, FIRE HAZARD SERVICE TEST :

**CAUTION :** After servicing this appliance and prior to returning to customer, measure the resistance between either primary AC cord connector pins ( with unit NOT connected to AC mains and its Power switch ON ), and the face or Front Panel of product and controls and chassis bottom.

Any resistance measurement less than 1 Megohms should cause unit to be repaired or corrected before AC power is applied, and verified before it is return to the user/customer.

In case of difficulties, do not hesitate to contact the Technical Department at above mentioned address.

# 1. TECHNICAL SPECIFICATIONS

## FM section

Frequency range .....87.5 MHz to 108.0 MHz  
 50 kHz steps: Manual mode  
 (10 kHz steps: Fine mode)  
 Sensitivity (S/N: 30 dB).....1.2  $\mu$ V  
 Total harmonic distortion (1 kHz)  
     Mono .....0.08 %  
     Stereo.....0.15 %  
 Signal to Noise ratio  
     Mono: .....80 dB  
     Stereo:.....75 dB  
 Selectivity ( $\pm$ 400 kHz)  
     Wide mode .....65 dB  
     Narrow mode.....80 dB  
 Frequency Response .....20 Hz to 15 kHz (+1.0, -3.0 dB)  
 Image Rejection .....70 dB  
 AM Suppression .....55 dB  
 Stereo Separation (1 kHz) .....50 dB

## LW Section

frequency range .....146 kHz to 290 kHz (1 kHz step)  
 Sensitivity (S/N: 20 dB) .....57 dB $\mu$ V /m  
 Signal to Noise ratio.....45 dB  
 Total harmonic distortion.....1.0 %  
 Image Rejection.....35 dB

## General

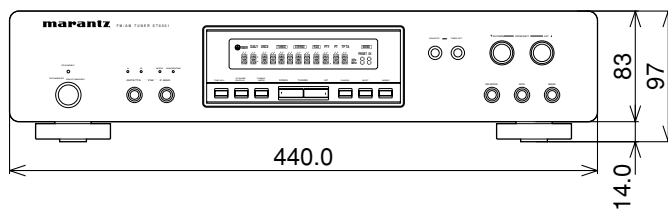
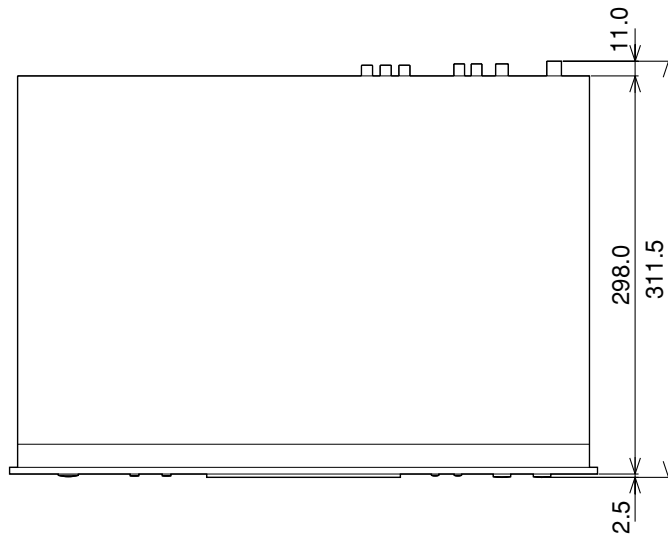
Power supply .....AC 230 V 50 Hz  
 Power consumption .....8.6 W  
 Weight .....4.0 kg

## Accessories

Audio connection cord.....1  
 AM loop antenna .....1  
 FM indoor antenna .....1  
 Remote control connection cord .....1  
 User Guide .....1  
 Registration Card .....1

## MW Section

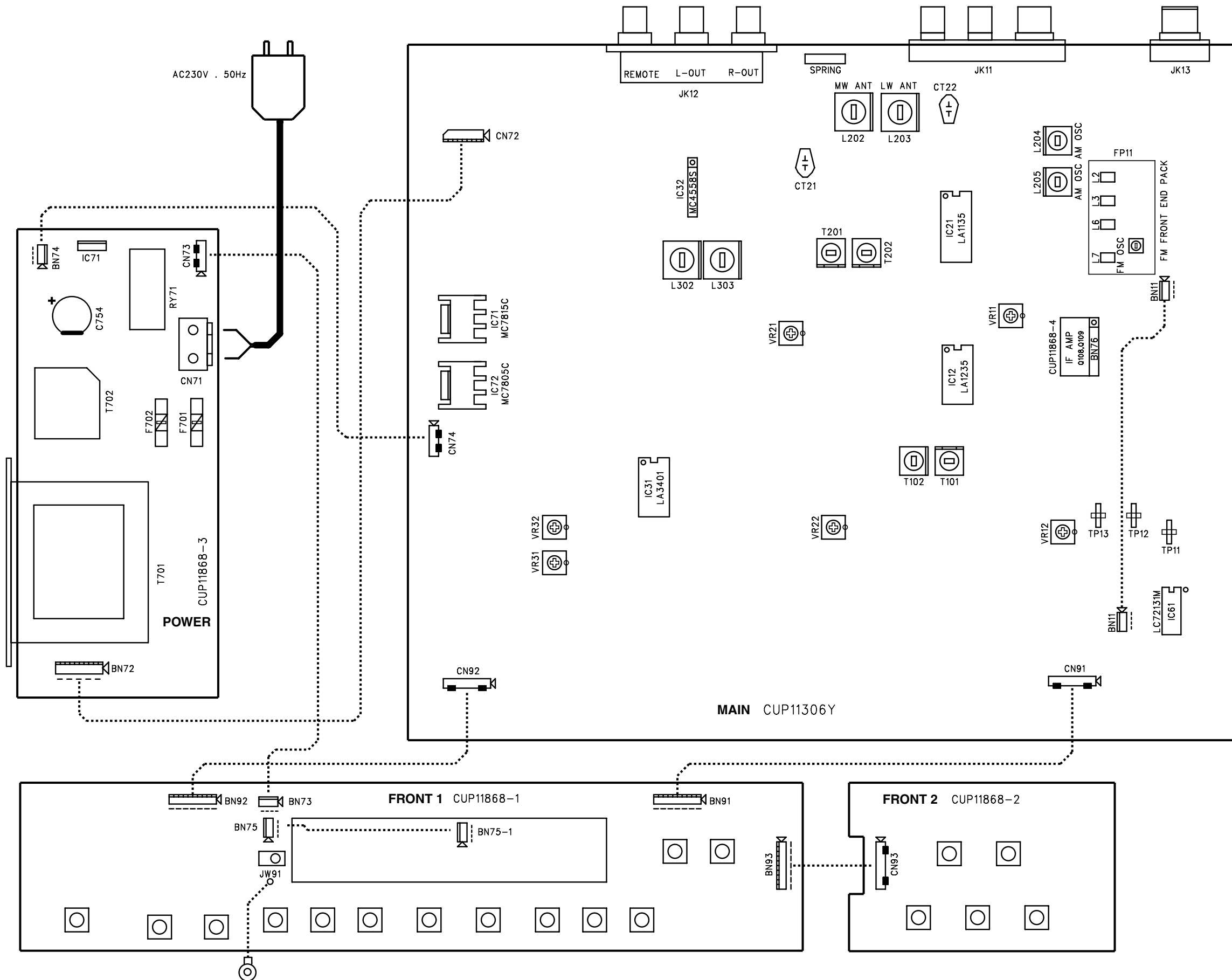
Frequency range .....522 kHz to 1620 kHz (9 kHz step)  
 Sensitivity (S/N: 20 dB) .....50 dB $\mu$ V /m  
 Signal to Noise ratio.....50 dB  
 Total harmonic distortion.....1.0 %  
 Image Rejection .....35 dB



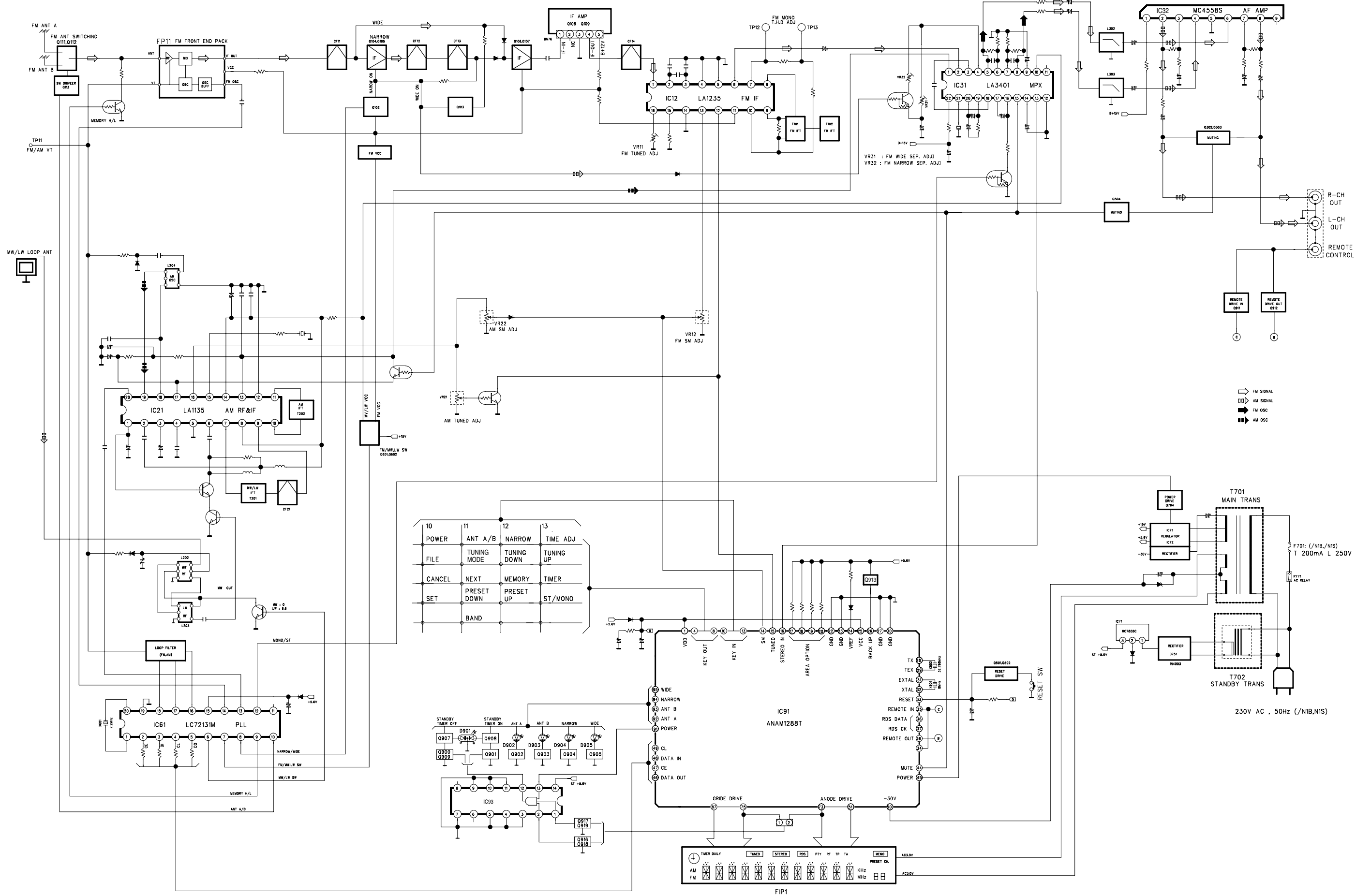
(mm)



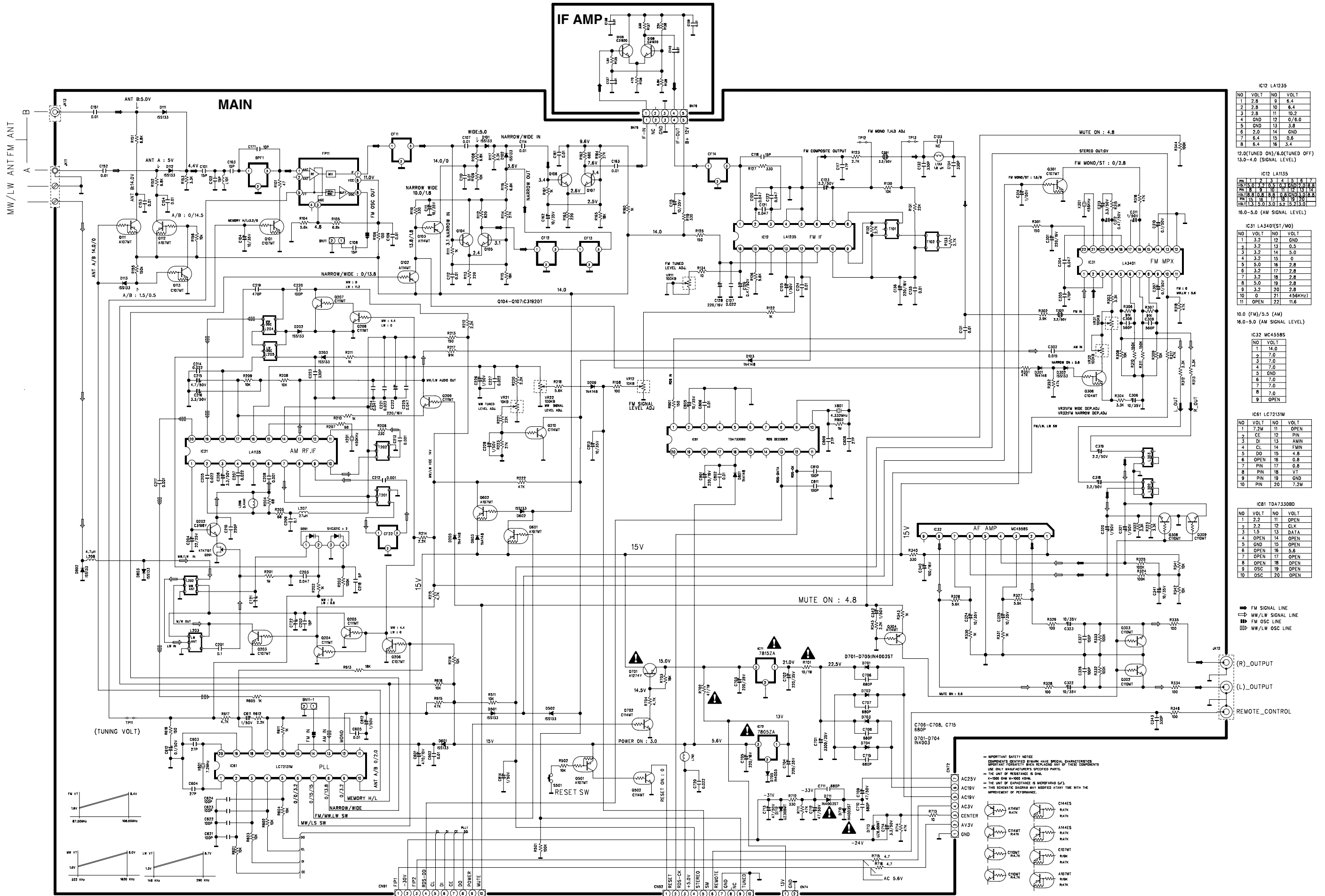
## 2. WIRING DIAGRAM



### 3. BLOCK DIAGRAM



# 4. SCHEMATIC DIAGRAM



IC12 LA1235

NO	VOLT	NO	VOLT
1	2.8	9	6.4
2	2.8	10	6.4
3	2.8	11	10.2
4	GND	12	0/6.0
5	GND	13	3.8
6	2.0	14	GND
7	6.4	15	0.6
8	6.4	16	3.4

IC12 LA1155

NO	VOLT	NO	VOLT
1	3.2	5	0.3
2	3.2	6	0.3
3	3.2	7	0.3
4	3.2	8	0.3
5	3.2	9	0.3
6	3.2	10	0.3
7	3.2	11	0.3
8	3.2	12	0.3
9	3.2	13	0.3
10	3.2	14	0.3
11	3.2	15	0.3
12	3.2	16	0.3
13	3.2	17	0.3
14	3.2	18	0.3
15	3.2	19	0.3
16	3.2	20	0.3
17	3.2	21	0.3
18	3.2	22	0.3
19	3.2	23	0.3
20	3.2	24	0.3
21	3.2	25	0.3
22	3.2	26	0.3
23	3.2	27	0.3
24	3.2	28	0.3
25	3.2	29	0.3
26	3.2	30	0.3
27	3.2	31	0.3
28	3.2	32	0.3
29	3.2	33	0.3
30	3.2	34	0.3
31	3.2	35	0.3
32	3.2	36	0.3
33	3.2	37	0.3
34	3.2	38	0.3
35	3.2	39	0.3
36	3.2	40	0.3
37	3.2	41	0.3
38	3.2	42	0.3
39	3.2	43	0.3
40	3.2	44	0.3
41	3.2	45	0.3
42	3.2	46	0.3
43	3.2	47	0.3
44	3.2	48	0.3
45	3.2	49	0.3
46	3.2	50	0.3
47	3.2	51	0.3
48	3.2	52	0.3
49	3.2	53	0.3
50	3.2	54	0.3
51	3.2	55	0.3
52	3.2	56	0.3
53	3.2	57	0.3
54	3.2	58	0.3
55	3.2	59	0.3
56	3.2	60	0.3
57	3.2	61	0.3
58	3.2	62	0.3
59	3.2	63	0.3
60	3.2	64	0.3
61	3.2	65	0.3
62	3.2	66	0.3
63	3.2	67	0.3
64	3.2	68	0.3
65	3.2	69	0.3
66	3.2	70	0.3
67	3.2	71	0.3
68	3.2	72	0.3
69	3.2	73	0.3
70	3.2	74	0.3
71	3.2	75	0.3
72	3.2	76	0.3
73	3.2	77	0.3
74	3.2	78	0.3
75	3.2	79	0.3
76	3.2	80	0.3
77	3.2	81	0.3
78	3.2	82	0.3
79	3.2	83	0.3
80	3.2	84	0.3
81	3.2	85	0.3
82	3.2	86	0.3
83	3.2	87	0.3
84	3.2	88	0.3
85	3.2	89	0.3
86	3.2	90	0.3
87	3.2	91	0.3
88	3.2	92	0.3
89	3.2	93	0.3
90	3.2	94	0.3
91	3.2	95	0.3
92	3.2	96	0.3
93	3.2	97	0.3
94	3.2	98	0.3
95	3.2	99	0.3
96	3.2	100	0.3

IC31 LA3401(ST/MO)

NO	VOLT	NO	VOLT
1	3.2	12	GND
2	3.2	13	0.5
3	3.2	14	5.0
4	3.2	15	0
5	5.0	16	2.8
6	3.2	17	2.8
7	3.2	18	2.8
8	5.0	19	2.8
9	5.0	20	2.8
10	0	21	456KHz
11	OPEN	22	11.6

IC32 MC4558S

NO	VOLT	NO	VOLT
1	14.0	11	OPEN
2	7.0	12	OPEN
3	7.0	13	OPEN
4	7.0	14	OPEN
5	GND	15	OPEN
6	7.0	16	OPEN
7	7.0	17	OPEN
8	7.0	18	OPEN
9	OPEN	19	OPEN
10	OPEN	20	OPEN

IC61 LC72131M

NO	VOLT	NO	VOLT
1	7.2V	11	OPEN
2	CE	12	PIN
3	DI	13	AMIN
4	CL	14	FMH
5	DO	15	4.8
6	OPEN	16	0.8
7	PIN	17	0.8
8	PIN	18	VT
9	PIN	19	GND
10	PIN	20	7.2M

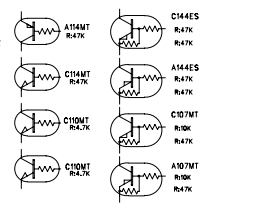
IC81 TA7330BD

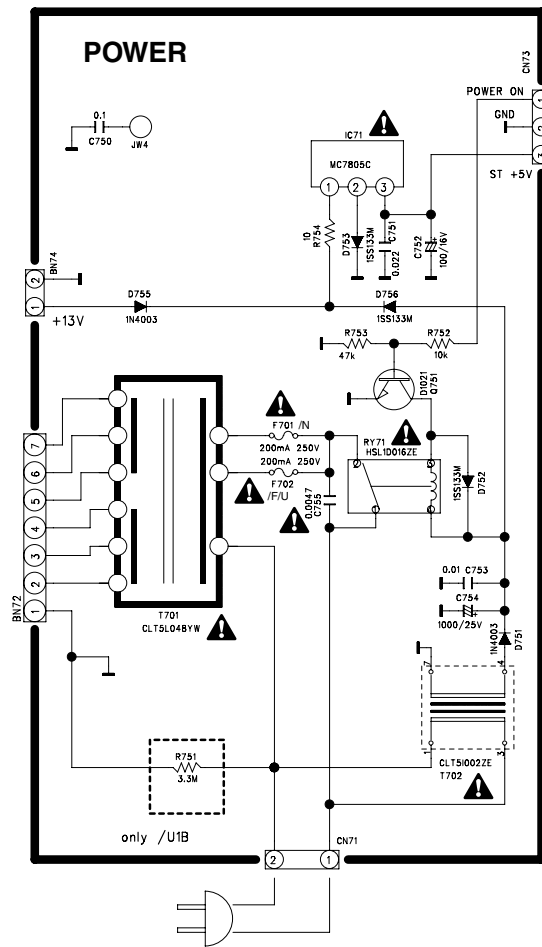
NO	VOLT	NO	VOLT
1	2.2	11	OPEN
2	2.2	12	CLK
3	1.5	13	DATA
4	OPEN	14	OPEN
5	GND	15	OPEN
6	OPEN	16	5.6
7	OPEN	17	OPEN
8	OPEN	18	OPEN
9	OSC	19	OPEN
10	OSC	20	OPEN

FM SIGNAL LINE  
 FM OSC LINE  
 MW/LW OSC LINE

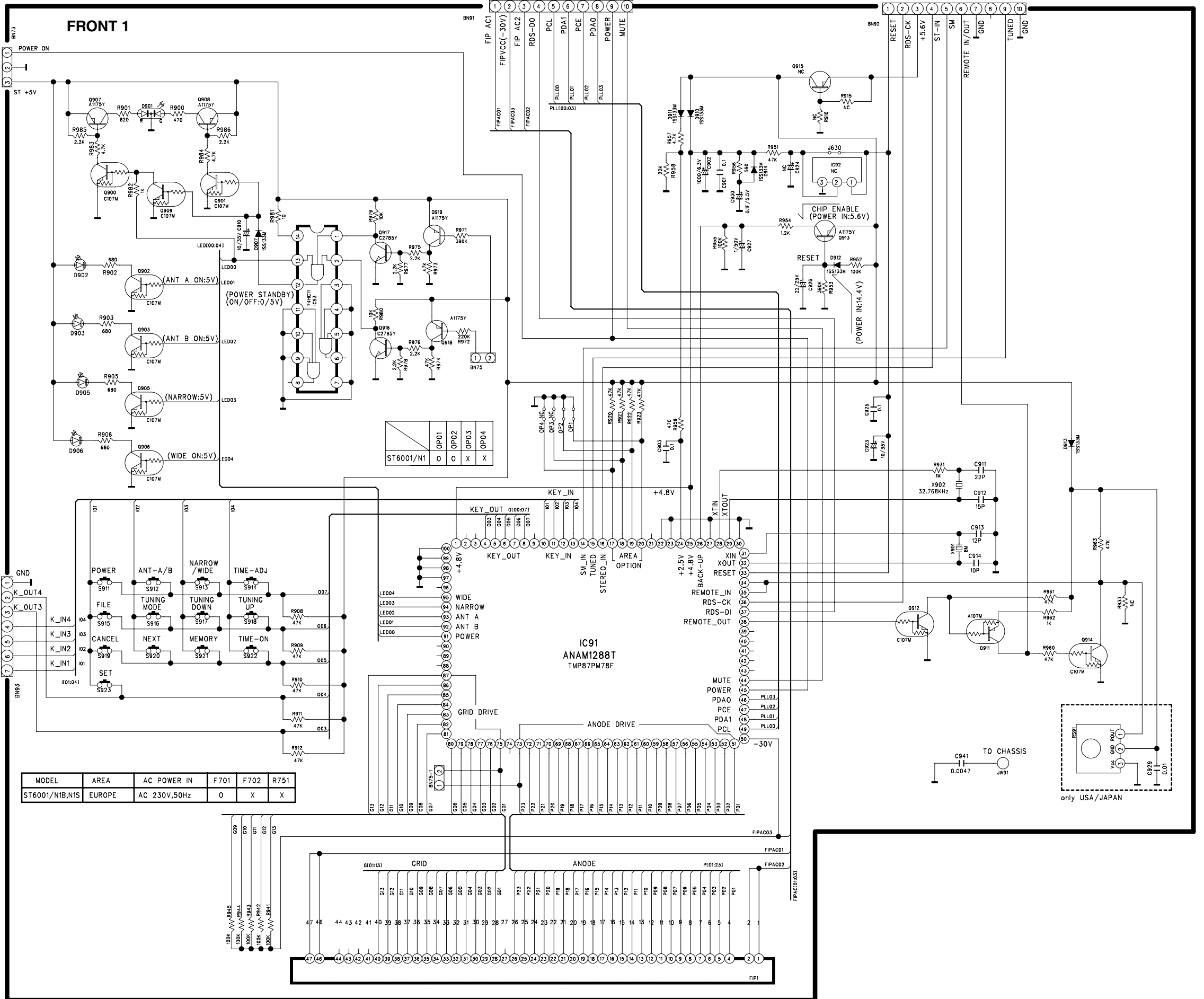
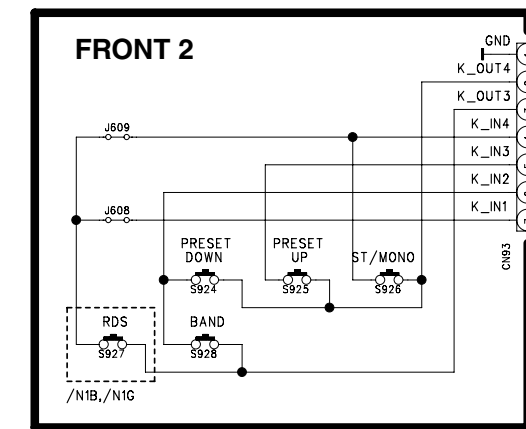
(R)\_OUTPUT  
 (L)\_OUTPUT  
 REMOTE\_CONTROL

IMPORTANT SAFETY NOTICE  
 COMPONENTS IDENTIFIED BY MARK HAVE SPECIAL CHARACTERISTICS  
 IMPORTANT FOR SAFETY WHEN REPLACING ANY OF THESE COMPONENTS  
 USE ONLY MANUFACTURER'S SPECIFIED PARTS.  
 \*\* THE UNIT OF RESISTANCE IS OHM.  
 \*\* THE UNIT OF CAPACITANCE IS MICROFARAD (UF).  
 \*\* THIS SCHEMATIC DIAGRAM MAY VARY SLIGHTLY WITH THE  
 IMPLEMENTATION OF PERFORMANCE.





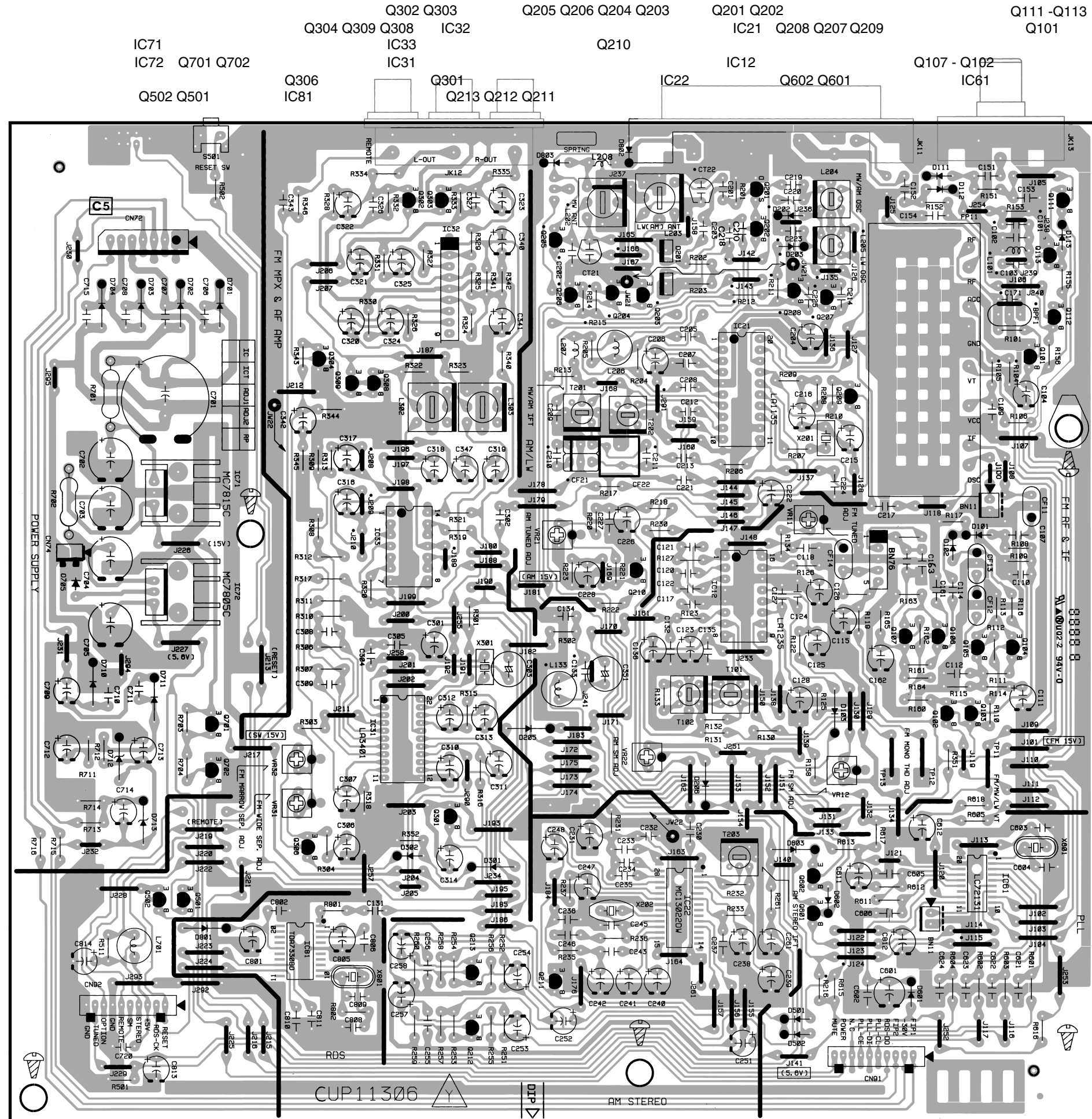
T701:CLT5L048YW(ST6001/N1B,/N1S)  
T702:CLT5I002ZE(ST6001/N1B,N1S)





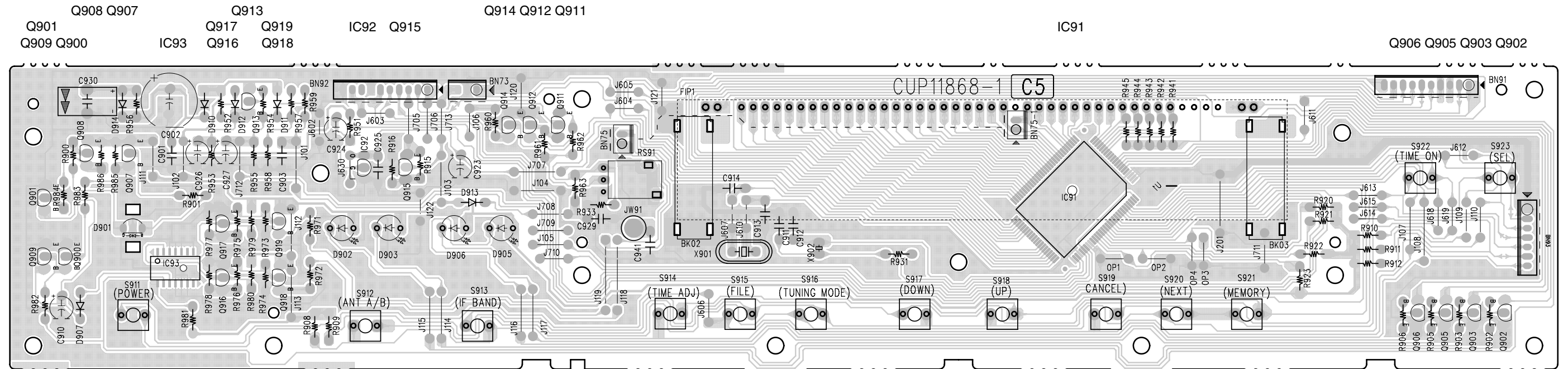
5. PARTS LOCATION

MAIN

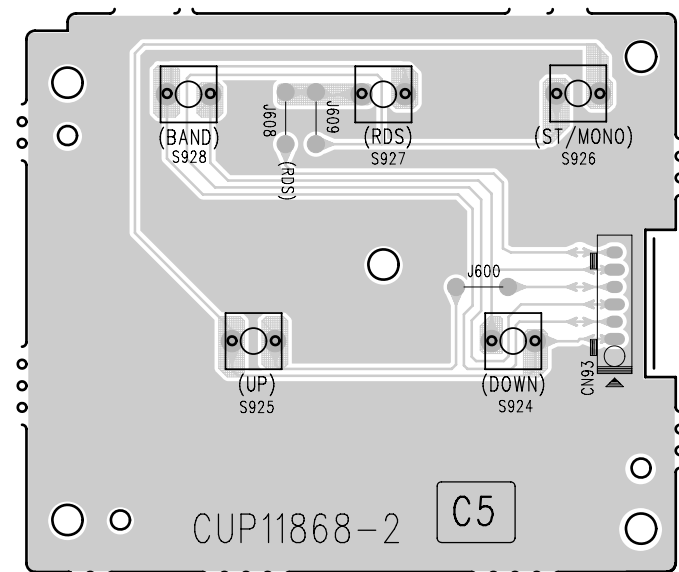


鉛フリー半田  
 半田付けには、鉛フリー半田 (Sn-Ag-Cu) を使用してください。  
**Lead-free Solder**  
 When soldering, use the Lead-free Solder (Sn-Ag-Cu).

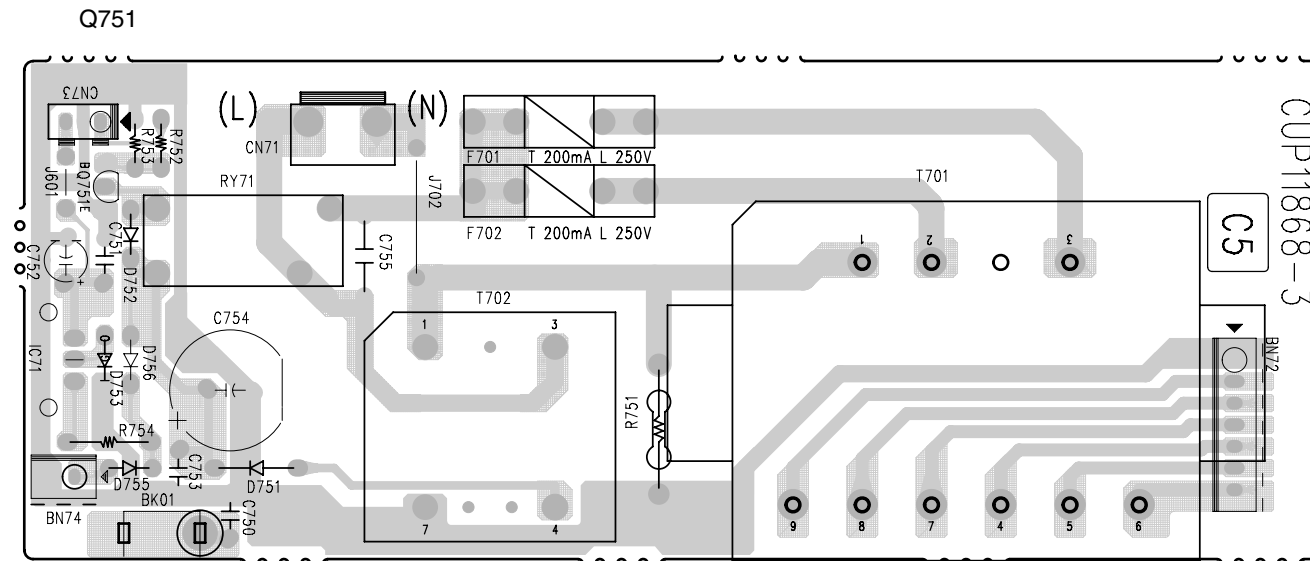
FRONT 1



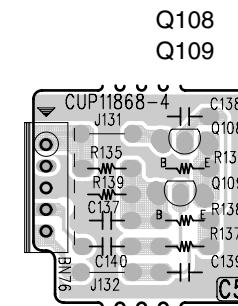
FRONT 2



POWER



IF AMP



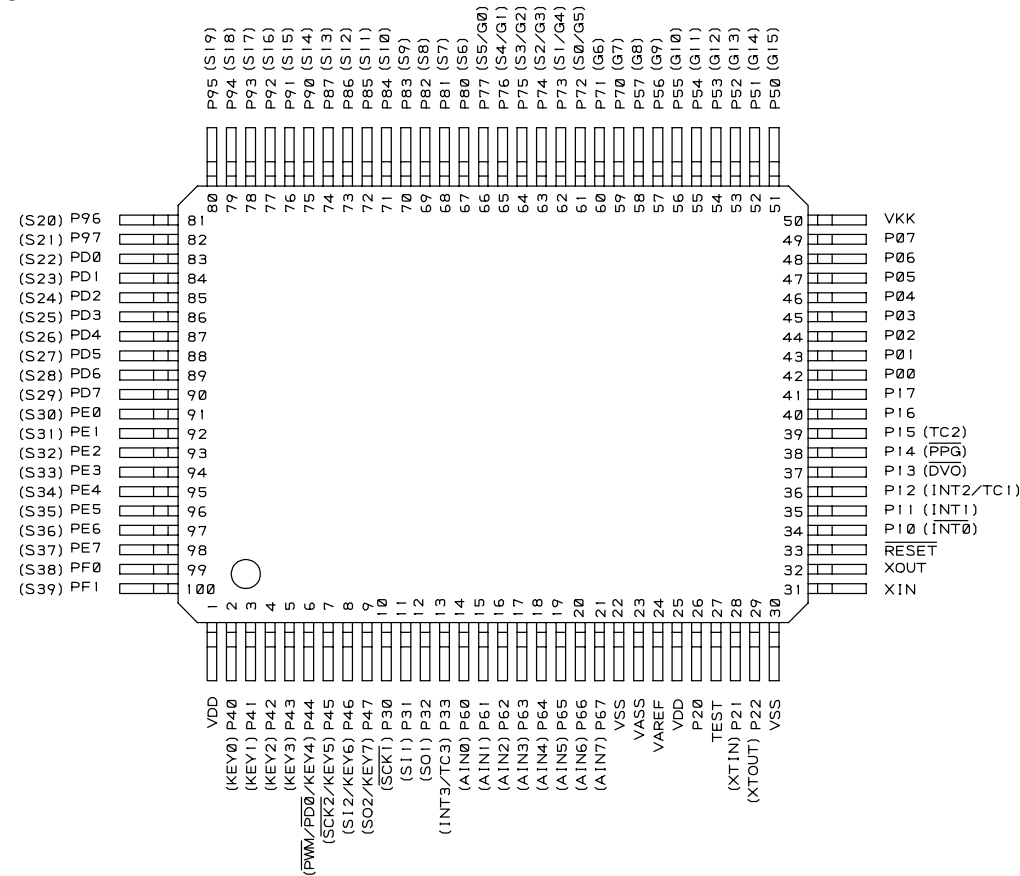
鉛フリー半田  
半田付けには、鉛フリー半田 (Sn-Ag-Cu) を使用してください。

**Lead-free Solder**  
When soldering, use the Lead-free Solder (Sn-Ag-Cu).

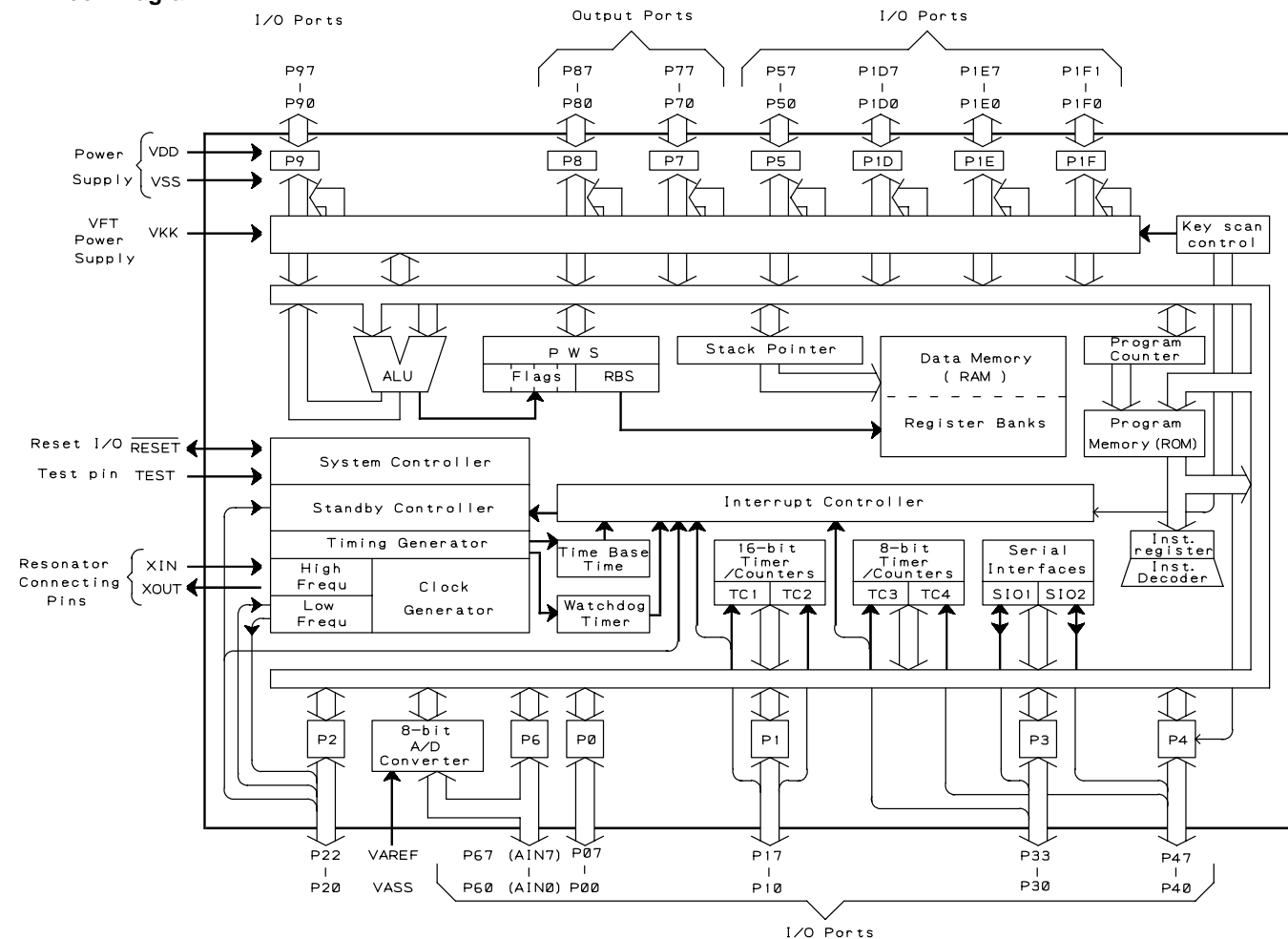
## 6. MICROPROCESSOR AND IC DATA

### IC91 : TMP87PM78F

#### 1. Pin Configuration



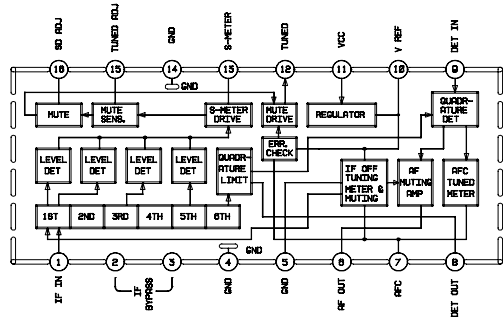
#### 2. Block Diagram



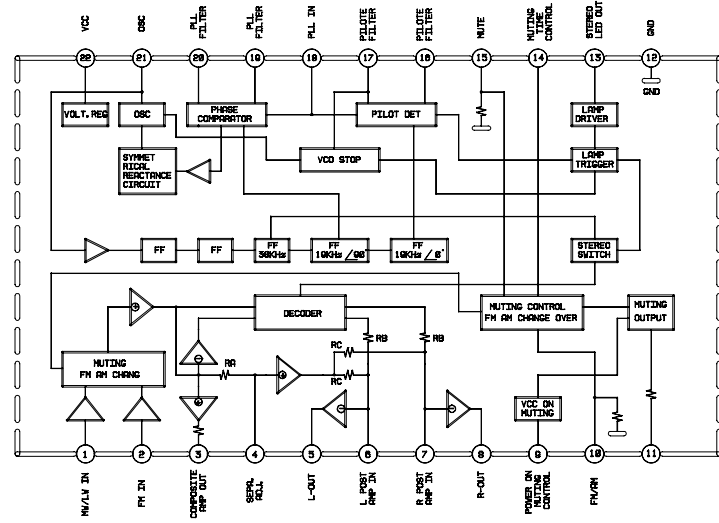
#### 3. Pin Functions

PIN NO.	IN/OUT	MARK	DESCRIPTION OF TERMINAL																				
1	INPUT	VDD(+4.8V)	Power supply terminal																				
2-3	-		Not used in this unit.																				
4-8	OUTPUT	D3-D7	Output terminal for key																				
9	-		Not used in this unit.																				
10-13	INPUT	I1-I4	Input terminal for key																				
14	INPUT	SM IN	Signal Meter level IN																				
15	INPUT	TUNED	TUNED indicator drive																				
16	INPUT	ST IN	Stereo indicator drive																				
17-20	INPUT	AREA OPTION	Option terminal for area <table border="1" style="margin-left: 20px;"> <thead> <tr> <th></th> <th>/N1</th> <th>/U1</th> <th>/F1</th> </tr> </thead> <tbody> <tr> <td>17pin</td> <td>L</td> <td>H</td> <td>L</td> </tr> <tr> <td>18pin</td> <td>L</td> <td>L</td> <td>L</td> </tr> <tr> <td>19pin</td> <td>H</td> <td>L</td> <td>L</td> </tr> <tr> <td>20pin</td> <td>L</td> <td>L</td> <td>L</td> </tr> </tbody> </table>		/N1	/U1	/F1	17pin	L	H	L	18pin	L	L	L	19pin	H	L	L	20pin	L	L	L
	/N1	/U1	/F1																				
17pin	L	H	L																				
18pin	L	L	L																				
19pin	H	L	L																				
20pin	L	L	L																				
21	-		Not used in this unit.																				
22-23	-	GND	Ground terminal																				
24	INPUT	VREF	Reference power input terminal																				
25	INPUT	VDD	Power supply terminal																				
26	INPUT	BACK-UP(CE)	Power supply detection																				
27	-	GND	Ground terminal																				
28	INPUT	IN	Connecting terminal for crystal oscillator.																				
29	OUTPUT	OUT	The crystal connected is 32.768KHz.																				
30	-	GND	Ground terminal																				
31	INPUT	XIN	Connecting terminal for crystal oscillator.																				
32	OUTPUT	XOUT	The crystal connected is 8.00MHz.																				
33	INPUT	RESET	System reset terminal																				
34-35	INPUT	RMC IN	Remote control input terminal																				
36	INPUT	RDS CLOCK	Clock input terminal for RDS																				
37	INPUT	RDS DATA	Data input terminal for RDS																				
38	OUTPUT	RMC OUT	Remote control output terminal																				
39-43	-		Not used in this unit.																				
44	OUTPUT	MUTE	Mute Control Output																				
45	OUTPUT	POWER	Power on/off signal																				
46	OUTPUT	PDAO	Data output terminal for PLL IC(LC72131)																				
47	OUTPUT	PCE	Chip enable terminal for PLL IC(LC72131)																				
48	INPUT	PDAI	Data input terminal for PLL IC(LC72131)																				
49	INPUT	PCL	Clock input terminal for PLL IC(LC72131)																				
50	INPUT	Vfip	FIP drive voltage input																				
51-73	OUTPUT	P01-P23	FIP Anode driver outputs.																				
74	-		Not used in this unit.																				
75-87	OUTPUT	G01-G13	FIP Grde driver outputs.																				
88-90	-		Not used in this unit.																				
91	OUTPUT	POWER LED	Stand-by LED ON/OFF																				
92	OUTPUT	ANT A	ANT A LED ON/OFF																				
93	OUTPUT	ANT B	ANT B LED ON/OFF																				
94	OUTPUT	NARROW	NARROW LED ON/OFF																				
95	OUTPUT	WIDE	WIDE LED ON/OFF																				
96	-		Not used in this unit.																				
97-100	-	GND	Ground terminal																				

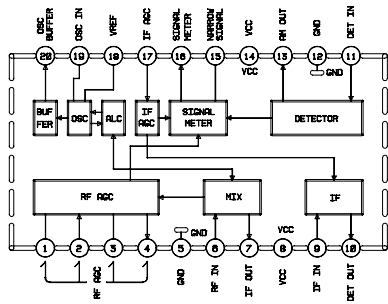
IC12 : LA1235



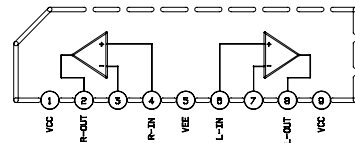
IC31 : LA3401



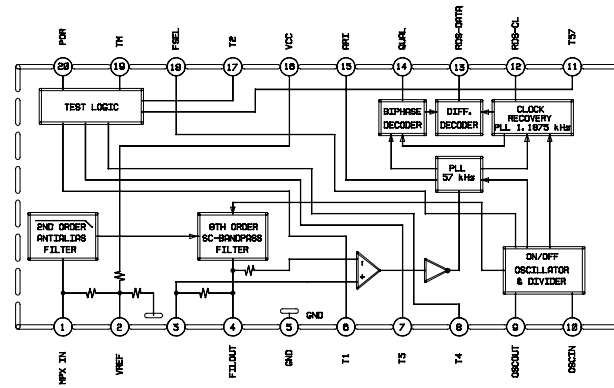
IC21 : LA1135



IC32 : MC4558S



IC81 : TDA7330BD



## 7. ADJUSTMENT PROCEDURE

### ALIGNMENT INSTRUCTIONS

#### EQUIPMENT NEEDED

- \* AM Signal Generator
- \* FM Signal Generator
- \* Oscilloscope
- \* VTVM(AC,DC)
- \* Dummy antenna (FM Adjustment)
- \* Stereo signal modulator
- \* Distortion analyzer
- \* Test loop antenna(MW Adjustment)

#### IMPORTANT

1. Check power-source voltage.
2. Set the function switch to band aligned.
3. Keep the function input as low as possible to adjust accurately.
4. Modulation and modulation frequency.

	Modulation	Modulation Frequency
MW(AM)/LW	30%	400Hz
FM	40kHz(EUR) 75kHz(USA,JPN)	400Hz

### FM, MW/LW TRACKING VOLTAGE ADJUSTMENT

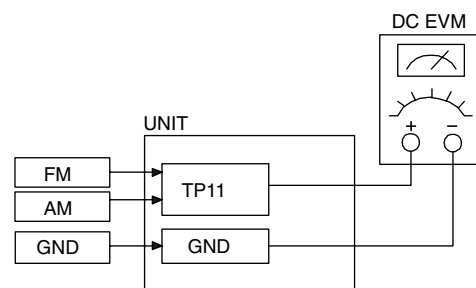
(FM) DC VOLTMETER

- \* CONNECT TO TEST POINT TP11 and GND

(MW/LW) DC VOLTMETER

- \* CONNECT TO TEST POINT TP11 and GND

NO	Band	Frequency	Adjust for	Adjustment
1	FM	87.50(76.00)MHz	1.6V	L7
2	MW	522/520kHz	1V	L204
3	LW	146kHz	1.3V	L205



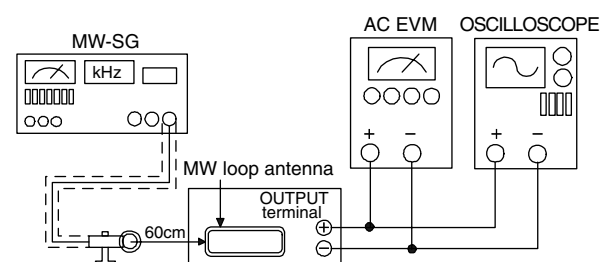
### MW RF ADJUSTMENT

Signal generator : Connects to the MW Ant.

Coil through the loop antenna.

Adjust for the indication of VTVM of the wave form of scope to be maximum.

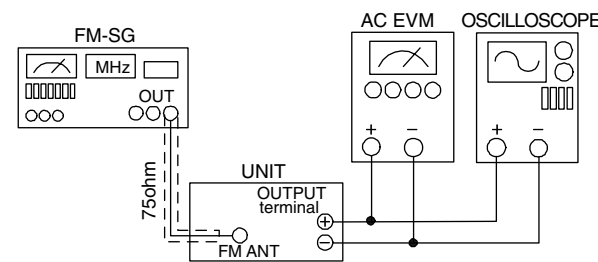
NO	Step	Freq.	Adjust for	Adjustment
MW (AM)	1	612/610kHz	Max sensitivity	L202(L203),T201,T202
	2	1503/1510kHz	Max sensitivity	CT21
	3	Repeat steps 1 and 2 several times.		
LW	1	164kHz	Max sensitivity	L203
	2	272kHz	Max sensitivity	CT22
	3	Repeat steps 1 and 2 several times.		



### FM-RF ADJUSTMENT

Signal generator:Connects to FM ANT.JACK(FM IN) through the dummy.

NO	Frequency	Adjust for	Adjustment
1	90.10(79.10)MHz	Max sensitivity	L2,L3,L6
2	Repeat step 1 several times		



### FM MONO DISTORTION ADJUSTMENT

DC VOLTMETER

- \* Connect to TP12(-),TP13(+) through the choke coil(100uH).

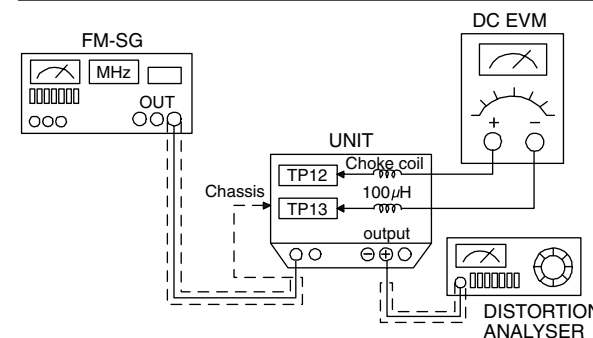
Signal Generator

- \* Connect to FM ANT Jack(FM IN) through the dummy.

Distortion Meter

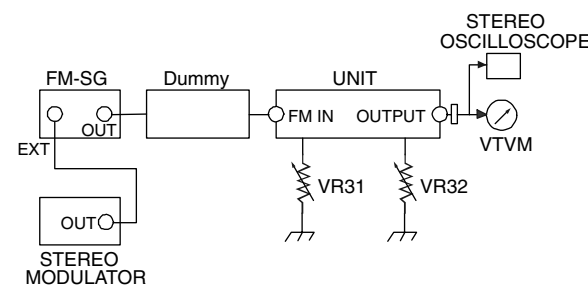
- \* Connect to the output.

NO	Frequency	Adjust for	Adjustment
1	100.10(83.10)MHz	DC Voltmeter 0V	T101
2	100.10(83.10)MHz	min T.H.D	T102
3	Repeat steps 1 and 2 several times		



### FM STEREO(WIDE/NARROW) SEPARATION

Pilot Signal	Adjust for	Adjustment
ON	Different of R and L must be maximum	VR31 (WIDE) VR32 (NARROW)



### FM/MW(LW) AUTO STOP LEVEL ADJUSTMENT

FM SIGNAL GENERATOR : Connect to FM ANT Jack(FM IN) through the dummy

MW SIGNAL GENERATOR : Connect to MW ANT. Coil through Loop antenna

Band	Step	Signal Generator	Adjust for	Adjustment
FM	1	100.10(83.10)MHz 35dB	TUNED ON	VR11
	2	100.10(83.10)MHz 35dB	TUNED OFF	VR11
MW/LW (AM)	1	999(1000)kHz 80dB	TUNED ON	VR21
	2	999(1000)kHz 80dB	TUNED OFF	VR21

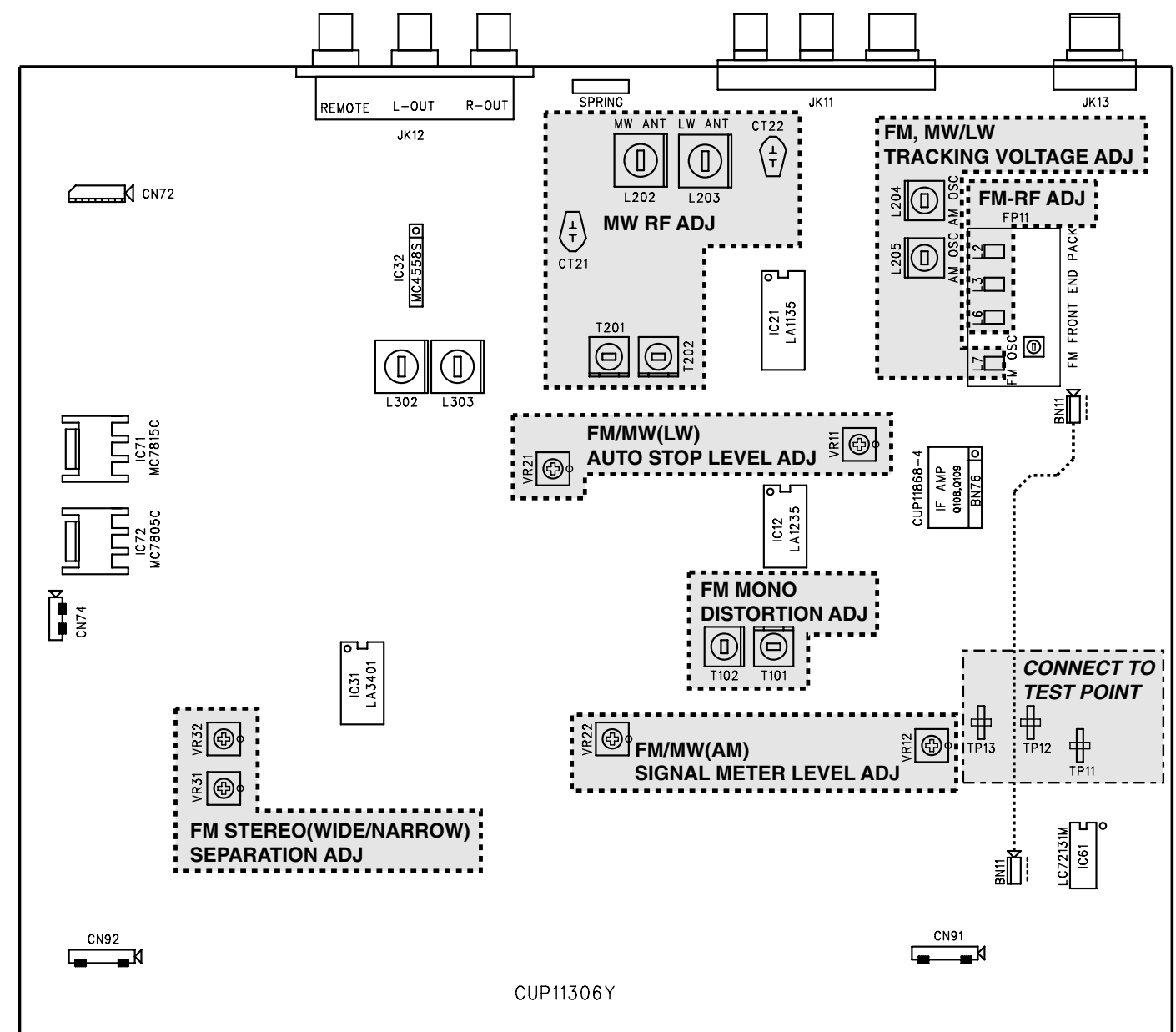
### FM/MW(AM) SIGNAL METER LEVEL ADJUSTMENT

FM SIGNAL GENERATOR : Connect to FM ANT Jack(FM IN) through the dummy

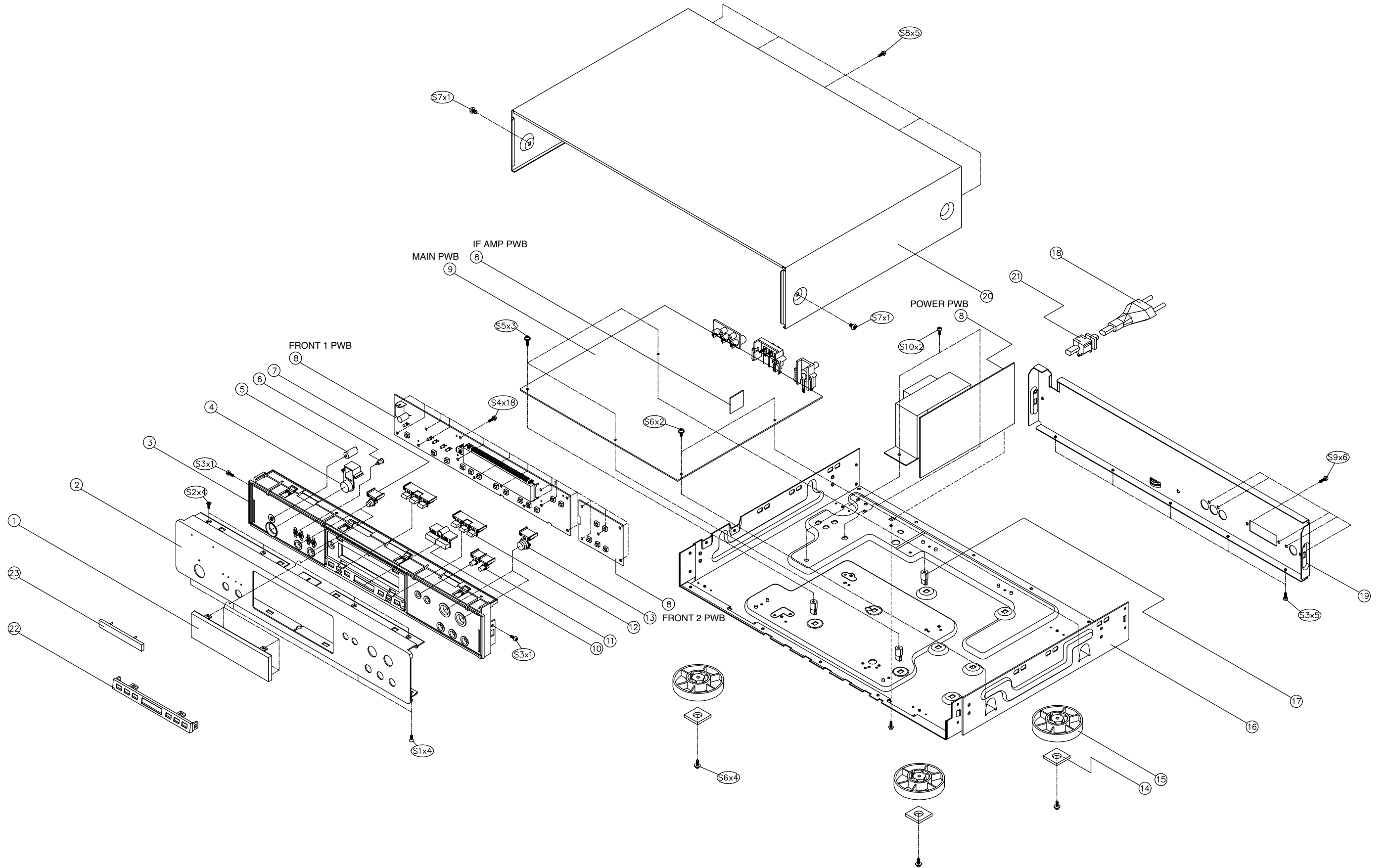
MW SIGNAL GENERATOR : Connect to MW ANT. Coil through Loop antenna

Band	Signal Generator	Adjust for	Adjustment
FM	100.10(83.10)MHz 66dB	Signal Level:59-61dB FM(ANT A) IN	VR12
	MW (AM) 999(1000)kHz 100dB	Signal Level:75-80dB	VR22

### ADJUSTMENT POINT



8. EXPLODED VIEW AND PARTS LIST



P.C.B. NAME	POS. NO.	VERS. COLOR	PART NO. (FOR EUR)	PART NO. (MZ)	PART NAME	DESCRIPTION
	1	/N1B	00M282W158010	00M282W158010	WINDOW	WINDOW FOR F1P CGU1A222ZA12
	1	/N1S	00M282W158010	00M282W158010	WINDOW	WINDOW FOR F1P CGU1A222YA12
	2	/N1B	00M02CW248020	00M02CW248020	PANEL	FRONT ALM PANEL ST6001 BLACK CKM1A096TC23
	2	/N1S	00M02CW248220	00M02CW248220	PANEL	FRONT ALM PANEL ST6001 SILVEF CKM1A096SC40
	3	/N1B	00M282W105010	00M282W105010	CHASSIS	FRONT MOLD CHASSIS CGW1A269K92
	3	/N1S	00M282W105210	00M282W105210	CHASSIS	FRONT MOLD CHASSIS SILVER CGW1A269R6G13
	4	/N1B	00M281W270010	00M281W270010	BUTTON	KNOB POWER (BLACK) CBT1A658K92
	4	/N1S	90M281W270210	90M281W270210	BUTTON	KNOB POWER (SILVER) CBT1A658R6G13
	5		00M285W355010	00M285W355010	LENS	INDICATOR CGL1A170
	6		00M282W355010	00M282W355010	LENS	INDICATOR(LED) CGL1A177
	7	/N1B	00M282W270040	00M282W270040	BUTTON	BUTTON FOR BAND CBT1A671
	7	/N1S	00M282W270240	00M282W270240	BUTTON	BUTTON FOR BAND SILVER CBT1A671R6G13
	8		nsp	nsp	PWB ASSY	SUB PWB ASSY (FRONT 1, FRONT 2, IF AMP, POWER) COP11868B
	9		nsp	nsp	PWB ASSY	MAIN PWB ASSY COP11306B
	10	/N1B	00M282W270010	00M282W270010	BUTTON	BUTTON FOR TUNING CBT1A668Z
	10	/N1S	00M282W270210	00M282W270210	BUTTON	BUTTON FOR TUNING SILVER CBT1A668R6ZG13
	11	/N1B	00M282W270030	00M282W270030	BUTTON	BUTTON FOR TIMER CBT1A670K92
	11	/N1S	00M282W270230	00M282W270230	BUTTON	BUTTON FOR TIMER SILVER CBT1A670R6G13
	12	/N1B	00M282W270020	00M282W270020	BUTTON	BUTTON FOR MODE CBT1A669
	12	/N1S	00M282W270220	00M282W270220	BUTTON	BUTTON FOR MODE SILVER CBT1A669R6G13
	13	/N1B	00M282W270050	00M282W270050	BUTTON	BUTTON FOR PRESET CBT1A672
	13	/N1S	00M282W270250	00M282W270250	BUTTON	BUTTON FOR PRESET SILVER CBT1A672R6G13
	14		00M11BW056010	00M11BW056010	BUFFER	RUBBER CUSHION KHG1A050
	15	/N1B	00M243W057010	00M243W057010	LEG	LEG GOLD/BLACK CKL2A042H11
	15	/N1S	00M243W057210	00M243W057210	LEG	LEG FOR SILVER CKL2A042H46
	16		nsp	nsp	CHASSIS	CHASSIS BOTTOM CUA1A153
	17		nsp	nsp	SUPPORT	MOUNT PWB CHE1A023
	▲ 18		90M-YC000760R	90M-YC000760R	MAINS CORD	! MAINS CORD N QDR-7100CC CJA2B043ZA
	19		nsp	nsp	PANEL	REAR PANEL ST6001 CKF4A148B
	21		00M24AW259020	00M24AW259020	BUSHING	BUSHING AC CORD KHR1A028
	22	/N1B	00M282W053010	00M282W053010	ESCUTCHEON	ORNAMENT FRONT CGR1A177
	22	/N1S	00M282W053210	00M282W053210	ESCUTCHEON	ORNAMENT FRONT SILVER CGR1A177R6G13
	23	/N1B	00M24AW251010	00M24AW251010	BADGE	NEW MZ BADGE CGB1A117
	23	/N1S	00M24AW251020	00M24AW251020	BADGE	NEW MZ BADGE SILVER CGB1A117G
	▲ F701		90M-FS000590R	90M-FS000590R	FUSE	T 200 MA 250V KBA2C0200TLEZ
<b>PACKING</b>						
			00M02CW851310	00M02CW851310	USER GUIDE	USER GUIDE ST6001 7LANGUAGE CQX1A558W
<b>NOT STANDARD SPARE PART</b>						
	20	/N1B	nsp	90M02CW257010	LID	TOP CABINET BLACK CKC1B086S1Z
	20	/N1S	nsp	90M02CW257210	LID	TOP CABINET SILVER CKC1A086G14
			nsp	90M-ZA000200R	ANTENNA	AM LOOP ANTENNA ASSY CSA3A012Z
			nsp	90M-ZA000210R	ANTENNA	ANT FM WIRE (PIGTAIL) CSA1A007
			nsp	90M-ZD000440R	CONN. CORD	CORD PIN CJS4M009X
			nsp	90M-ZD000560R	CONN. CORD	CORD PIN CJS4N001Y
			nsp	00M02CW801010	PACKING CASE	PACKING CASE ST6001 CPG1A814Z
			nsp	00M282W809010	CUSHION	CUSHION ST6001 CPS3A463

NOTE : "nsp" PART IS LISTED FOR REFERENCE ONLY, MARANTZ WILL NOT SUPPLY THESE PARTS.

## 9. ELECTRICAL PARTS LIST

### PARTS INFORMATION

#### RESISTORS

- 1) 00MGD05 × × × 140, Carbon film fixed resistor, ±5% 1/4W  
 2) 00MGD05 × × × 160, Carbon film fixed resistor, ±5% 1/6W

① Resistance value

Examples ;

① Resistance value  
 0.1 Ω .... 001    10 Ω .... 100    1 kΩ .... 102    100 kΩ .... 104  
 0.5 Ω .... 005    18 Ω .... 180    2.7 kΩ .... 272    680 kΩ .... 684  
 1 Ω .... 010    100 Ω .... 101    10 kΩ .... 103    1 MΩ .... 105  
 6.8 Ω .... 068    390 Ω .... 391    22 kΩ .... 223    4.7 MΩ .... 475

**Note :** Please distinguish 1/4W from 1/6W by the shape of parts used actually.

#### CAPACITORS

##### CERAMIC CAP.

- 3) 00MDD1 × × × × 370 Ceramic capacitor  
 Disc type  
 Temp.coef.P350 ~N1000, 50V  
 Capacity value  
 Tolerance

Examples ;

② Tolerance (Capacity deviation)  
 ±0.25 pF .... 0  
 ±0.5 pF .... 1  
 ±5% .... 5

\* Tolerance of COMMON PARTS handled here are as follows :

0.5 pF ~ 5 pF .... ±0.25 pF  
 6 pF ~ 10 pF .... ±0.5 pF  
 12 pF ~ 560 pF .... ±5%

③ Capacity value

0.5 pF .... 005    3 pF .... 030    100 pF .... 101  
 1 pF .... 010    10 pF .... 100    220 pF .... 221  
 1.5 pF .... 015    47 pF .... 470    560 pF .... 561

##### CERAMIC CAP.

- 4) 00MDK16 × × × 300, High dielectric constant ceramic capacitor  
 Disc type  
 Temp.chara. 2B4, 50V  
 Capacity value

Examples ;

④ Capacity value  
 100 pF .... 101    1000 pF .... 102    10000 pF .... 103  
 470 pF .... 471    2200 pF .... 222

##### ELECTROLY CAP. ( $\text{⏏}$ )

- 5) 00MEA × × × × × 10, Electrolytic capacitor  
 One-way lead type, Tolerance ±20%  
 Working voltage  
 Capacity value

Examples ;

⑤ Capacity value  
 0.1 μF .... 104    4.7 μF .... 475    100 μF .... 107  
 0.33 μF .... 334    10 μF .... 106    330 μF .... 337  
 1 μF .... 105    22 μF .... 226    1100 μF .... 118  
 2200 μF .... 228

⑥ Working voltage

6.3V .... 006    25V .... 025  
 10V .... 010    35V .... 035  
 16V .... 016    50V .... 050

##### FILM CAP. ( $\text{⏏}$ )

- 6) 00MDF15 × × × 350 Plastic film capacitor  
 One-way type, Mylar ±5% 50V  
 00MDF15 × × × 310 Plastic film capacitor  
 One-way type, Mylar ±10% 50V  
 Capacity value

Examples ;

⑦ Capacity value  
 0.001 μF (1000 pF) ..... 102    0.1 μF .... 104  
 0.0018 μF ..... 182    0.56 μF .... 564  
 0.01 μF ..... 103    1 μF .... 105  
 0.015 μF ..... 153

### NOTE ON SAFETY FOR FUSIBLE RESISTOR :

The suppliers and their type numbers of fusible resistors are as follows;

#### 1. KOA Corporation

Part No. (MJI)	Type No. (KOA)	Description
00MNH05 × × × 140	RF25S × × × × ΩJ	(±5% 1/4W)
00MNH05 × × × 120	RF50S × × × × ΩJ	(±5% 1/2W)
00MNH85 × × × 110	RF73B2A × × × × ΩJ	(±5% 1/10W)
00MNH95 × × × 140	RF73B2E × × × × ΩJ	(±5% 1/4W)

\* Resistance value      Resistance value (0.1 Ω – 10 kΩ)

#### 2. Matsushita Electronic Components Co., Ltd

Part No. (MJI)	Type No. (MEC)	Description
00MNF05 × × × 140	ERD-2FCJ × × ×	(±5% 1/4W)
00MRF05 × × × 140		
00MNF02 × × × 140	ERD-2FCG × × ×	(±2% 1/4W)
00MRF02 × × × 140		

\* Resistance value      \* Resistance value

Examples ;

\* Resistance value  
 0.1 Ω .... 001    10 Ω .... 100    1 kΩ .... 102    100 kΩ .... 104  
 0.5 Ω .... 005    18 Ω .... 180    2.7 kΩ .... 272    680 kΩ .... 684  
 1 Ω .... 010    100 Ω .... 101    10 kΩ .... 103    1 MΩ .... 105  
 6.8 Ω .... 068    390 Ω .... 391    22 kΩ .... 223    4.7 MΩ .... 475

### ABBREVIATION AND MARKS

ANT. : ANTENNA	BATT. : BATTERY
CAP. : CAPACITOR	CER. : CERAMIC
CONN. : CONNECTING	DIG. : DIGITAL
HP : HEADPHONE	MIC. : MICROPHONE
μ-PRO : MICROPROCESSOR	REC. : RECORDING
RES. : RESISTOR	SPK : SPEAKER
SW : SWITCH	TRANSF : TRANSFORMER
TRIM. : TRIMMING	TRS. : TRANSISTOR
VAR. : VARIABLE	X'TAL : CRYSTAL

### NOTE ON FUSE :

Regarding to all parts of parts code 00MFS20xxx2xx, replace only with Wickmann-Werke GmbH, Type 372 non glass type fuse.

### NOTE ON SAFETY :

Symbol  $\blacktriangle$  Fire or electrical shock hazard. Only original parts should be used to replaced any part marked with symbol  $\blacktriangle$ . Any other component substitution (other than original type), may increase risk of fire or electrical shock hazard.

### 安全上の注意 :

$\blacktriangle$  がついている部品は、安全上重要な部品です。必ず指定されている部品番号の部品を使用して下さい。



P.C.B. NAME	POS. NO.	VERS. COLOR	PART NO. (FOR EUR)	PART NO. (MZ)	PART NAME	DESCRIPTION
					<b>FRONT 1 PWB</b>	
FRONT1	BK02		nsp	nsp	BRACKET	FOR DISPLAY UNIT CMD1A374
FRONT1	BK03		nsp	nsp	BRACKET	FOR DISPLAY UNIT CMD1A374
FRONT1	BN73		nsp	nsp	CORD	WIRE ASSY CWB2B903350EN
FRONT1	BN75		nsp	nsp	CORD	WIRE ASSY CWB1A902100NW
FRONT1	BN91		nsp	nsp	CORD	WIRE ASSY CWB2B010200EN
FRONT1	BN92		nsp	nsp	CORD	WIRE ASSY CWB2B010250EN
FRONT1	BN93		nsp	nsp	CORD	WIRE ASSY CWB2B007080EN
FRONT1	C901		nsp	nsp	CER. CAP.	0.1UF 50V Z HCBS1H104ZFT
FRONT1	C902		nsp	00MOA10800620	ELECT CAP.	1000UF 6.3V CCEA0JH102T
FRONT1	C903		nsp	nsp	CER. CAP.	0.1UF 50V Z HCBS1H104ZFT
FRONT1	C910		nsp	00MOA10603540	ELECT CAP.	10UF 35V CCEA1VH100T
FRONT1	C911		nsp	nsp	CER. CAP.	22PF 50V J HCBS1H220JT
FRONT1	C912		nsp	nsp	CER. CAP.	15PF 50V J HCBS1H150JCT
FRONT1	C913		nsp	nsp	CER. CAP.	12PF 50V JC HCBS1H120JCT
FRONT1	C914		nsp	nsp	CER. CAP.	10PF 50V JC HCBS1H100JCT
FRONT1	C923		nsp	00MOA10603540	ELECT CAP.	10UF 35V CCEA1VH100T
FRONT1	C925		nsp	nsp	CER. CAP.	0.1UF 50V Z HCBS1H104ZFT
FRONT1	C926		nsp	00MOA22605020	ELECT CAP.	22UF 25V CCEA1EH220T
FRONT1	C927		nsp	00MOA10505020	ELECT CAP.	1UF 50V CCEA1HH1R0T
FRONT1	C929		nsp	nsp	CER. CAP.	0.01UF 50V Z HCBS1H103ZFT
FRONT1	C930		90M-EX000050R	90M-EX000050R	ELECT CAP.	0.1F 5.5V HCES0HD104
FRONT1	C941		nsp	nsp	CER. CAP.	4700PF 16V HCBS1C472MXT
FRONT1	D901		90M-HI101090R	90M-HI101090R	L.E.D.	SPR-39MVW3 2COLOR HVDSR39MVW3
FRONT1	D902		90M-HI101040R	90M-HI101040R	L.E.D.	SLR342VCTB7T089 HVD342VCTB7T089
FRONT1	D903		90M-HI101040R	90M-HI101040R	L.E.D.	SLR342VCTB7T089 HVD342VCTB7T089
FRONT1	D905		90M-HI101040R	90M-HI101040R	L.E.D.	SLR342VCTB7T089 HVD342VCTB7T089
FRONT1	D906		90M-HI101040R	90M-HI101040R	L.E.D.	SLR342VCTB7T089 HVD342VCTB7T089
FRONT1	D907		nsp	00MHD20015210	DIODE	1SS133T-77 HVD1SS133MT
FRONT1	D910		nsp	00MHD20015210	DIODE	1SS133T-77 HVD1SS133MT
FRONT1	D911		nsp	00MHD20015210	DIODE	1SS133T-77 HVD1SS133MT
FRONT1	D912		nsp	00MHD20015210	DIODE	1SS133T-77 HVD1SS133MT
FRONT1	D913		nsp	00MHD20015210	DIODE	1SS133T-77 HVD1SS133MT
FRONT1	D914		nsp	00MHD20015210	DIODE	1SS133T-77 HVD1SS133MT
FRONT1	FIP1		90M-HQ300390R	90M-HQ300390R	DISPLAY	FIP(TUNER MARANTZ) CFLHNA13MS03
FRONT1	IC91		90M-HS02CWT0R	90M-HS02CWT0R	U-PRO	TMP87PM78F ST6001 HVIANAM1288T2
FRONT1	IC93		90M-HC700600R	90M-HC700600R	IC	74HC11D CVI74HC11D
FRONT1	J101		nsp	nsp	CORD	SN95/PB5, 0.6 C3A206
FRONT1	J102		nsp	nsp	CORD	SN95/PB5, 0.6 C3A206
FRONT1	J103		nsp	nsp	CORD	SN95/PB5, 0.6 C3A206
FRONT1	J104		nsp	nsp	CORD	SN95/PB5, 0.6 C3A206
FRONT1	J105		nsp	nsp	CORD	SN95/PB5, 0.6 C3A206
FRONT1	J106		nsp	nsp	CORD	SN95/PB5, 0.6 C3A206
FRONT1	J107		nsp	nsp	CORD	SN95/PB5, 0.6 C3A206
FRONT1	J108		nsp	nsp	CORD	SN95/PB5, 0.6 C3A206
FRONT1	J109		nsp	nsp	CORD	SN95/PB5, 0.6 C3A206
FRONT1	J110		nsp	nsp	CORD	SN95/PB5, 0.6 C3A206
FRONT1	J111		nsp	nsp	CORD	SN95/PB5, 0.6 C3A206
FRONT1	J112		nsp	nsp	CORD	SN95/PB5, 0.6 C3A206
FRONT1	J113		nsp	nsp	CORD	SN95/PB5, 0.6 C3A206
FRONT1	J114		nsp	nsp	CORD	SN95/PB5, 0.6 C3A206
FRONT1	J115		nsp	nsp	CORD	SN95/PB5, 0.6 C3A206
FRONT1	J116		nsp	nsp	CORD	SN95/PB5, 0.6 C3A206
FRONT1	J117		nsp	nsp	CORD	SN95/PB5, 0.6 C3A206
FRONT1	J118		nsp	nsp	CORD	SN95/PB5, 0.6 C3A206
FRONT1	J119		nsp	nsp	CORD	SN95/PB5, 0.6 C3A206
FRONT1	J120		nsp	nsp	CORD	SN95/PB5, 0.6 C3A206
FRONT1	J121		nsp	nsp	CORD	SN95/PB5, 0.6 C3A206
FRONT1	J122		nsp	nsp	CORD	SN95/PB5, 0.6 C3A206
FRONT1	J201		nsp	nsp	CORD	SN95/PB5, 0.6 C3A206
FRONT1	J602		nsp	nsp	CORD	SN95/PB5, 0.6 C3A206
FRONT1	J603		nsp	nsp	CORD	SN95/PB5, 0.6 C3A206
FRONT1	J604		nsp	nsp	CORD	SN95/PB5, 0.6 C3A206
FRONT1	J605		nsp	nsp	CORD	SN95/PB5, 0.6 C3A206
FRONT1	J606		nsp	nsp	CORD	SN95/PB5, 0.6 C3A206
FRONT1	J607		nsp	nsp	CORD	SN95/PB5, 0.6 C3A206
FRONT1	J610		nsp	nsp	CORD	SN95/PB5, 0.6 C3A206

NOTE : "nsp" PART IS LISTED FOR REFERENCE ONLY, MARANTZ WILL NOT SUPPLY THESE PARTS.

P.C.B. NAME	POS. NO.	VERS. COLOR	PART NO. (FOR EUR)	PART NO. (MZ)	PART NAME	DESCRIPTION	
FRONT1	J611		nsp	nsp	CORD	SN95/PB5, 0.6	C3A206
FRONT1	J612		nsp	nsp	CORD	SN95/PB5, 0.6	C3A206
FRONT1	J613		nsp	nsp	CORD	SN95/PB5, 0.6	C3A206
FRONT1	J614		nsp	nsp	CORD	SN95/PB5, 0.6	C3A206
FRONT1	J615		nsp	nsp	CORD	SN95/PB5, 0.6	C3A206
FRONT1	J618		nsp	nsp	CORD	SN95/PB5, 0.6	C3A206
FRONT1	J619		nsp	nsp	CORD	SN95/PB5, 0.6	C3A206
FRONT1	J630		nsp	nsp	CORD	SN95/PB5, 0.6	C3A206
FRONT1	J705		nsp	nsp	CORD	SN95/PB5, 0.6	C3A206
FRONT1	J706		nsp	nsp	CORD	SN95/PB5, 0.6	C3A206
FRONT1	J707		nsp	nsp	CORD	SN95/PB5, 0.6	C3A206
FRONT1	J708		nsp	nsp	CORD	SN95/PB5, 0.6	C3A206
FRONT1	J709		nsp	nsp	CORD	SN95/PB5, 0.6	C3A206
FRONT1	J710		nsp	nsp	CORD	SN95/PB5, 0.6	C3A206
FRONT1	J711		nsp	nsp	CORD	SN95/PB5, 0.6	C3A206
FRONT1	J712		nsp	nsp	CORD	SN95/PB5, 0.6	C3A206
FRONT1	J713		nsp	nsp	CORD	SN95/PB5, 0.6	C3A206
FRONT1	JW91		nsp	nsp	CORD	WIRE ASSY	CWE8102150SV
FRONT1	OP01		nsp	nsp	CORD	SN95/PB5, 0.6	C3A206
FRONT1	OP02		nsp	nsp	CORD	SN95/PB5, 0.6	C3A206
FRONT1	Q900		90M-BA001460R	90M-BA001460R	TRS.	KRC107M	HVTKRC107MT
FRONT1	Q901		90M-BA001460R	90M-BA001460R	TRS.	KRC107M	HVTKRC107MT
FRONT1	Q902		90M-BA001460R	90M-BA001460R	TRS.	KRC107M	HVTKRC107MT
FRONT1	Q903		90M-BA001460R	90M-BA001460R	TRS.	KRC107M	HVTKRC107MT
FRONT1	Q905		90M-BA001460R	90M-BA001460R	TRS.	KRC107M	HVTKRC107MT
FRONT1	Q906		90M-BA001460R	90M-BA001460R	TRS.	KRC107M	HVTKRC107MT
FRONT1	Q907		90M-HT100390R	90M-HT100390R	TRS.	KSA1175Y	KVTKSA1175YT
FRONT1	Q908		90M-HT100390R	90M-HT100390R	TRS.	KSA1175Y	KVTKSA1175YT
FRONT1	Q909		90M-BA001460R	90M-BA001460R	TRS.	KRC107M	HVTKRC107MT
FRONT1	Q911		90M-BA001450R	90M-BA001450R	TRS.	KRA107M	HVTKRA107MT
FRONT1	Q912		90M-BA001460R	90M-BA001460R	TRS.	KRC107M	HVTKRC107MT
FRONT1	Q913		90M-HT100390R	90M-HT100390R	TRS.	KSA1175Y	KVTKSA1175YT
FRONT1	Q914		90M-BA001460R	90M-BA001460R	TRS.	KRC107M	HVTKRC107MT
FRONT1	Q916		00MHT327851H0	00MHT327851H0	TRS.	KSC2785Y	KVTKSC2785YT
FRONT1	Q917		00MHT327851H0	00MHT327851H0	TRS.	KSC2785Y	KVTKSC2785YT
FRONT1	Q918		90M-HT100390R	90M-HT100390R	TRS.	KSA1175Y	KVTKSA1175YT
FRONT1	Q919		90M-HT100390R	90M-HT100390R	TRS.	KSA1175Y	KVTKSA1175YT
FRONT1	R900		nsp	nsp	RES.	470 OHM 1/5W J	CRD20TJ471T
FRONT1	R901		nsp	nsp	RES.	820 OHM 1/5W J	CRD20TJ821T
FRONT1	R902		nsp	nsp	RES.	680 OHM 1/5W J	CRD20TJ681T
FRONT1	R903		nsp	nsp	RES.	680 OHM 1/5W J	CRD20TJ681T
FRONT1	R905		nsp	nsp	RES.	680 OHM 1/5W J	CRD20TJ681T
FRONT1	R906		nsp	nsp	RES.	680 OHM 1/5W J	CRD20TJ681T
FRONT1	R908		nsp	nsp	RES.	47K OHM 1/5W J	CRD20TJ473T
FRONT1	R909		nsp	nsp	RES.	47K OHM 1/5W J	CRD20TJ473T
FRONT1	R910		nsp	nsp	RES.	47K OHM 1/5W J	CRD20TJ473T
FRONT1	R911		nsp	nsp	RES.	47K OHM 1/5W J	CRD20TJ473T
FRONT1	R912		nsp	nsp	RES.	47K OHM 1/5W J	CRD20TJ473T
FRONT1	R920		nsp	nsp	RES.	47K OHM 1/5W J	CRD20TJ473T
FRONT1	R921		nsp	nsp	RES.	47K OHM 1/5W J	CRD20TJ473T
FRONT1	R922		nsp	nsp	RES.	47K OHM 1/5W J	CRD20TJ473T
FRONT1	R923		nsp	nsp	RES.	47K OHM 1/5W J	CRD20TJ473T
FRONT1	R931		nsp	nsp	RES.	1M OHM 1/5W J	CRD20TJ105T
FRONT1	R941		nsp	nsp	RES.	100K OHM 1/5W J	CRD20TJ104T
FRONT1	R942		nsp	nsp	RES.	100K OHM 1/5W J	CRD20TJ104T
FRONT1	R943		nsp	nsp	RES.	100K OHM 1/5W J	CRD20TJ104T
FRONT1	R944		nsp	nsp	RES.	100K OHM 1/5W J	CRD20TJ104T
FRONT1	R945		nsp	nsp	RES.	100K OHM 1/5W J	CRD20TJ104T
FRONT1	R951		nsp	nsp	RES.	47K OHM 1/5W J	CRD20TJ473T
FRONT1	R952		nsp	nsp	RES.	100K OHM 1/5W J	CRD20TJ104T
FRONT1	R953		nsp	nsp	RES.	390K OHM 1/5W J	CRD20TJ394T
FRONT1	R954		nsp	nsp	RES.	1.2K OHM 1/5W J	CRD20TJ122T
FRONT1	R955		nsp	nsp	RES.	100K OHM 1/5W J	CRD20TJ104T
FRONT1	R956		nsp	nsp	RES.	560 OHM 1/5W J	CRD20TJ561T
FRONT1	R957		nsp	nsp	RES.	4.7K OHM 1/5W J	CRD20TJ472T
FRONT1	R958		nsp	nsp	RES.	22K OHM 1/5W J	CRD20TJ223T
FRONT1	R959		nsp	nsp	RES.	470 OHM 1/5W J	CRD20TJ471T

NOTE : "nsp" PART IS LISTED FOR REFERENCE ONLY, MARANTZ WILL NOT SUPPLY THESE PARTS.

P.C.B. NAME	POS. NO.	VERS. COLOR	PART NO. (FOR EUR)	PART NO. (MZ)	PART NAME	DESCRIPTION
FRONT1	R960		nsp	nsp	RES.	47K OHM 1/5W J CRD20TJ473T
FRONT1	R961		nsp	nsp	RES.	47K OHM 1/5W J CRD20TJ473T
FRONT1	R962		nsp	nsp	RES.	1K OHM 1/5W J CRD20TJ102T
FRONT1	R963		nsp	nsp	RES.	47K OHM 1/5W J CRD20TJ473T
FRONT1	R971		nsp	nsp	RES.	390K OHM 1/5W J CRD20TJ394T
FRONT1	R972		nsp	nsp	RES.	220K OHM 1/6W J CRD20TJ224T
FRONT1	R973		nsp	nsp	RES.	47K OHM 1/5W J CRD20TJ473T
FRONT1	R974		nsp	nsp	RES.	47K OHM 1/5W J CRD20TJ473T
FRONT1	R975		nsp	nsp	RES.	2.2K OHM 1/5W J CRD20TJ222T
FRONT1	R976		nsp	nsp	RES.	2.2K OHM 1/5W J CRD20TJ222T
FRONT1	R977		nsp	nsp	RES.	2.2K OHM 1/5W J CRD20TJ222T
FRONT1	R978		nsp	nsp	RES.	2.2K OHM 1/5W J CRD20TJ222T
FRONT1	R979		nsp	nsp	RES.	10K OHM 1/5W J CRD20TJ103T
FRONT1	R980		nsp	nsp	RES.	10K OHM 1/5W J CRD20TJ103T
FRONT1	R981		nsp	nsp	RES.	10 OHM 1/5W J CRD20TJ100T
FRONT1	R982		nsp	nsp	RES.	1K OHM 1/5W J CRD20TJ102T
FRONT1	R983		nsp	nsp	RES.	4.7K OHM 1/5W J CRD20TJ472T
FRONT1	R984		nsp	nsp	RES.	4.7K OHM 1/5W J CRD20TJ472T
FRONT1	R985		nsp	nsp	RES.	2.2K OHM 1/5W J CRD20TJ222T
FRONT1	R986		nsp	nsp	RES.	2.2K OHM 1/5W J CRD20TJ222T
FRONT1	S911		90M-SP001210R	90M-SP001210R	SW	SKHV10910G TACT CST1A012ZT
FRONT1	S912		90M-SP001210R	90M-SP001210R	SW	SKHV10910G TACT CST1A012ZT
FRONT1	S913		90M-SP001210R	90M-SP001210R	SW	SKHV10910G TACT CST1A012ZT
FRONT1	S914		90M-SP001210R	90M-SP001210R	SW	SKHV10910G TACT CST1A012ZT
FRONT1	S915		90M-SP001210R	90M-SP001210R	SW	SKHV10910G TACT CST1A012ZT
FRONT1	S916		90M-SP001210R	90M-SP001210R	SW	SKHV10910G TACT CST1A012ZT
FRONT1	S917		90M-SP001210R	90M-SP001210R	SW	SKHV10910G TACT CST1A012ZT
FRONT1	S918		90M-SP001210R	90M-SP001210R	SW	SKHV10910G TACT CST1A012ZT
FRONT1	S919		90M-SP001210R	90M-SP001210R	SW	SKHV10910G TACT CST1A012ZT
FRONT1	S920		90M-SP001210R	90M-SP001210R	SW	SKHV10910G TACT CST1A012ZT
FRONT1	S921		90M-SP001210R	90M-SP001210R	SW	SKHV10910G TACT CST1A012ZT
FRONT1	S922		90M-SP001210R	90M-SP001210R	SW	SKHV10910G TACT CST1A012ZT
FRONT1	S923		90M-SP001210R	90M-SP001210R	SW	SKHV10910G TACT CST1A012ZT
FRONT1	X901		90M-JX001030R	90M-JX001030R	X'TAL	8MHZ HOX08000E160C
FRONT1	X902		00MX0001001T2	00MX0001001T2	X'TAL	DT-38 32.768KHZ HOX00032A120C
					<b>FRONT 2 PWB</b>	
FRONT2	CN93		nsp	nsp	CONN.	7P STRAIGHT CJP07GA19ZY
FRONT2	J600		nsp	nsp	CORD	SN95/PB5, 0.6 C3A206
FRONT2	J608		nsp	nsp	CORD	SN95/PB5, 0.6 C3A206
FRONT2	S924		90M-SP001210R	90M-SP001210R	SW	SKHV10910G TACT CST1A012ZT
FRONT2	S925		90M-SP001210R	90M-SP001210R	SW	SKHV10910G TACT CST1A012ZT
FRONT2	S926		90M-SP001210R	90M-SP001210R	SW	SKHV10910G TACT CST1A012ZT
FRONT2	S927		90M-SP001210R	90M-SP001210R	SW	SKHV10910G TACT CST1A012ZT
FRONT2	S928		90M-SP001210R	90M-SP001210R	SW	SKHV10910G TACT CST1A012ZT
					<b>IF AMP PWB</b>	
IF AMP	BN76		90M-YP100400R	90M-YP100400R	PLUG	PIN HEADER(5PIN) CJP05GF171ZY
IF AMP	C137		nsp	nsp	CER. CAP.	0.01UF 50V Z HCBS1H103ZFT
IF AMP	C138		nsp	nsp	CER. CAP.	0.01UF 50V Z HCBS1H103ZFT
IF AMP	C139		nsp	nsp	CER. CAP.	0.01UF 50V Z HCBS1H103ZFT
IF AMP	C140		nsp	nsp	CER. CAP.	0.01UF 50V Z HCBS1H103ZFT
IF AMP	J131		nsp	nsp	CORD	SN95/PB5, 0.6 C3A206
IF AMP	J132		nsp	nsp	CORD	SN95/PB5, 0.6 C3A206
IF AMP	Q108		90M-HT300480R	90M-HT300480R	TRS.	KTC31920 HVTKTC3192OT
IF AMP	Q109		90M-HT300480R	90M-HT300480R	TRS.	KTC31920 HVTKTC3192OT
IF AMP	R135		nsp	nsp	RES.	1.5K OHM 1/5W J CRD20TJ152T
IF AMP	R136		nsp	nsp	RES.	470 OHM 1/5W J CRD20TJ471T
IF AMP	R137		nsp	nsp	RES.	330 OHM 1/5W J CRD20TJ331T
IF AMP	R138		nsp	nsp	RES.	22K OHM 1/5W J CRD20TJ223T
IF AMP	R139		nsp	nsp	RES.	6.8K OHM 1/5W J CRD20TJ682T
					<b>MAIN PWB</b>	
MAIN			nsp	nsp	TERMINAL	EARTH PLATE CMC1A111
MAIN			nsp	nsp	TERMINAL	EARTH PLATE CNE75
MAIN	BN11		nsp	nsp	CORD	WIRE ASSY CWZAT1200AK05
MAIN	BPF1		90M-FF100240R	90M-FF100240R	CER. FILTER	B.P.F. KVFGFMB3
MAIN	C101		nsp	nsp	CER. CAP.	15PF 50V J HCBS1H150JCT
MAIN	C102		nsp	nsp	CER. CAP.	15PF 50V J HCBS1H150JCT
MAIN	C103		nsp	nsp	CER. CAP.	15PF 50V J HCBS1H150JCT

NOTE : "nsp" PART IS LISTED FOR REFERENCE ONLY, MARANTZ WILL NOT SUPPLY THESE PARTS.

P.C.B. NAME	POS. NO.	VERS. COLOR	PART NO. (FOR EUR)	PART NO. (MZ)	PART NAME	DESCRIPTION	
MAIN	C104		nsp	00MOA10603540	ELECT CAP.	10UF 35V	CCEA1VH100T
MAIN	C107		nsp	nsp	CER. CAP.	0.01UF 50V Z	HCBS1H103ZFT
MAIN	C109		nsp	nsp	CER. CAP.	0.01UF 50V Z	CCFT1H103ZF
MAIN	C110		nsp	nsp	CER. CAP.	0.01UF 50V Z	CCFT1H103ZF
MAIN	C111		nsp	00MOA10603540	ELECT CAP.	10UF 35V	CCEA1VH100T
MAIN	C112		nsp	nsp	CER. CAP.	0.01UF 50V Z	HCBS1H103ZFT
MAIN	C114		nsp	nsp	CER. CAP.	0.01UF 50V Z	CCFT1H103ZF
MAIN	C115		nsp	00MOA10603540	ELECT CAP.	10UF 35V	CCEA1VH100T
MAIN	C117		nsp	nsp	CER. CAP.	47PF 50V JC	CCCT1H470JC
MAIN	C118		nsp	nsp	CER. CAP.	15PF 50V J	HCBS1H150JCT
MAIN	C120		nsp	nsp	CER. CAP.	0.043UF 50V Z	CCFT1H473ZF
MAIN	C121		nsp	nsp	CER. CAP.	0.043UF 50V Z	CCFT1H473ZF
MAIN	C122		nsp	nsp	CER. CAP.	0.047UF 50V Z	HCBS1H473ZFT
MAIN	C123		nsp	00MOA22505020	ELECT CAP.	2.2UF 50V	CCEA1HH2R2T
MAIN	C124		nsp	nsp	CER. CAP.	0.01UF 50V Z	HCBS1H103ZFT
MAIN	C125		nsp	00MOA10505020	ELECT CAP.	1UF 50V	CCEA1HH1R0T
MAIN	C126		nsp	00MOA47405020	ELECT CAP.	0.47UF 50V	CCEA1HHR47T
MAIN	C127		nsp	nsp	CER. CAP.	0.022UF 50V Z	CCFT1H223ZF
MAIN	C128		nsp	00MOA22701620	ELECT CAP.	220UF 16V	CCEA1CH221T
MAIN	C131		nsp	nsp	CER. CAP.	0.01UF 50V Z	CCFT1H103ZF
MAIN	C132		nsp	nsp	CER. CAP.	330PF 50V KB	HCBS1H331KBT
MAIN	C134		nsp	nsp	CER. CAP.	330PF 50V KB	CCKT1H331KB
MAIN	C135		nsp	nsp	CER. CAP.	0.01UF 50V Z	HCBS1H103ZFT
MAIN	C136		nsp	00MOA22701620	ELECT CAP.	220UF 16V	CCEA1CH221T
MAIN	C151		nsp	nsp	CER. CAP.	0.01UF 50V Z	HCBS1H103ZFT
MAIN	C152		nsp	nsp	CER. CAP.	0.01UF 50V Z	HCBS1H103ZFT
MAIN	C153		nsp	nsp	CER. CAP.	0.01UF 50V Z	HCBS1H103ZFT
MAIN	C154		nsp	nsp	CER. CAP.	0.01UF 50V Z	HCBS1H103ZFT
MAIN	C161		nsp	nsp	CER. CAP.	0.01UF 50V Z	HCBS1H103ZFT
MAIN	C162		nsp	00MOA10603540	ELECT CAP.	10UF 35V	CCEA1VH100T
MAIN	C163		nsp	nsp	CER. CAP.	0.01UF 50V Z	HCBS1H103ZFT
MAIN	C171		nsp	nsp	CER. CAP.	10PF 50V DC	CCCT1H100DC
MAIN	C201		nsp	nsp	FILM CAP.	0.1UF 50V ZF	CCFT1H104ZF
MAIN	C202		nsp	nsp	CER. CAP.	15PF 50V J	HCBS1H150JCT
MAIN	C203		nsp	nsp	FILM CAP.	0.047UF 50V J	HCQI1H473JZT
MAIN	C204		nsp	00MOA22605020	ELECT CAP.	22UF 25V	CCEA1EH220T
MAIN	C205		nsp	nsp	CER. CAP.	0.022UF 50V Z	CCFT1H223ZF
MAIN	C206		nsp	00MOA33505020	ELECT CAP.	3.3UF 50V	CCEA1HH3R3T
MAIN	C207		nsp	nsp	CER. CAP.	0.022UF 50V Z	HCBS1H223ZFT
MAIN	C208		nsp	nsp	CER. CAP.	1000PF 50V KB	CCKT1H102KB
MAIN	C209		nsp	nsp	FILM CAP.	0.1UF 50V ZF	CCFT1H104ZF
MAIN	C210		nsp	nsp	CER. CAP.	220PF 50V K	HCBS1H221KBT
MAIN	C212		nsp	nsp	CER. CAP.	1000PF 50V KB	CCKT1H102KB
MAIN	C213		nsp	nsp	CER. CAP.	1000PF 50V KB	CCKT1H102KB
MAIN	C214		nsp	nsp	CER. CAP.	0.022UF 50V Z	HCBS1H223ZFT
MAIN	C215		nsp	00MOA47505020	ELECT CAP.	4.7UF 50V	CCEA1HH4R7T
MAIN	C216		nsp	00MOA33505020	ELECT CAP.	3.3UF 50V	CCEA1HH3R3T
MAIN	C217		nsp	nsp	CER. CAP.	1000PF 50V B	HCBS1H102KBT
MAIN	C218		nsp	nsp	CER. CAP.	5PF 50V CC	CCCT1H050CC
MAIN	C219		nsp	nsp	CER. CAP.	470PF 50V KB	CCKT1H471KB
MAIN	C220		nsp	nsp	CER. CAP.	100PF 50V K	HCBS1H101KBT
MAIN	C221		nsp	nsp	CER. CAP.	0.022UF 50V Z	CCFT1H223ZF
MAIN	C222		nsp	00MOA22701620	ELECT CAP.	220UF 16V	CCEA1CH221T
MAIN	C223		nsp	nsp	CER. CAP.	330PF 50V KB	CCKT1H331KB
MAIN	C224		nsp	nsp	CER. CAP.	0.047UF 50V Z	HCBS1H473ZFT
MAIN	C225		nsp	nsp	CER. CAP.	0.047UF 50V Z	HCBS1H473ZFT
MAIN	C226		nsp	00MOA10505020	ELECT CAP.	1UF 50V	CCEA1HH1R0T
MAIN	C227		nsp	nsp	CER. CAP.	0.022UF 50V Z	HCBS1H223ZFT
MAIN	C228		nsp	00MOA10505020	ELECT CAP.	1UF 50V	CCEA1HH1R0T
MAIN	C301		nsp	00MOA22701620	ELECT CAP.	220UF 16V	CCEA1CH221T
MAIN	C302		nsp	nsp	FILM CAP.	0.015UF 50V J	HCQI1H153JZT
MAIN	C303		nsp	00MOA22505020	ELECT CAP.	2.2UF 50V	CCEA1HN2R2T
MAIN	C304		nsp	nsp	FILM CAP.	0.047UF 50V J	HCQI1H473JZT
MAIN	C305		nsp	nsp	CER. CAP.	470PF 50V	HCBS1H471KBT
MAIN	C306		nsp	00MOA10603540	ELECT CAP.	10UF 35V	CCEA1VH100T
MAIN	C307		nsp	00MOA10405020	ELECT CAP.	100UF 50V	CCEA1HH0R1T
MAIN	C308		nsp	nsp	CER. CAP.	560PF 50V KB	CCKT1H561KB

NOTE : "nsp" PART IS LISTED FOR REFERENCE ONLY, MARANTZ WILL NOT SUPPLY THESE PARTS.

P.C.B. NAME	POS. NO.	VERS. COLOR	PART NO. (FOR EUR)	PART NO. (MZ)	PART NAME	DESCRIPTION	
MAIN	C309		nsp	nsp	CER. CAP.	560PF 50V KB	CCKT1H561KB
MAIN	C310		nsp	00MOA10405020	ELECT CAP.	100UF 50V	CCEA1HH0R1T
MAIN	C311		nsp	00MOA10505020	ELECT CAP.	1UF 50V	CCEA1HH1R0T
MAIN	C312		nsp	00MOA47405020	ELECT CAP.	0.47UF 50V	CCEA1HHR47T
MAIN	C313		nsp	00MOA33505020	ELECT CAP.	3.3UF 50V	CCEA1HH3R3T
MAIN	C314		nsp	00MOA10505020	ELECT CAP.	1UF 50V	CCEA1HH1R0T
MAIN	C318		nsp	00MOA22505020	ELECT CAP.	2.2UF 50V	CCEA1HH2R2T
MAIN	C319		nsp	00MOA22505020	ELECT CAP.	2.2UF 50V	CCEA1HH2R2T
MAIN	C320		nsp	00MOA10505020	ELECT CAP.	1UF 50V	CCEA1HH1R0T
MAIN	C321		nsp	00MOA10505020	ELECT CAP.	1UF 50V	CCEA1HH1R0T
MAIN	C322		nsp	00MOA10603540	ELECT CAP.	10UF 35V	CCEA1VH100T
MAIN	C323		nsp	00MOA10603540	ELECT CAP.	10UF 35V	CCEA1VH100T
MAIN	C324		nsp	00MOA10603540	ELECT CAP.	10UF 35V	CCEA1VH100T
MAIN	C325		nsp	00MOA10603540	ELECT CAP.	10UF 35V	CCEA1VH100T
MAIN	C326		nsp	nsp	CER. CAP.	100PF 50V KB	CCKT1H101KB
MAIN	C327		nsp	nsp	CER. CAP.	100PF 50V KB	CCKT1H101KB
MAIN	C340		nsp	00MOA10702520	ELECT CAP.	100UF 25V	CCEA1EH101T
MAIN	C341		nsp	00MOA10603540	ELECT CAP.	10UF 35V	CCEA1VH100T
MAIN	C342		nsp	00MOA10505020	ELECT CAP.	1UF 50V	CCEA1HH1R0T
MAIN	C343		nsp	nsp	CER. CAP.	330PF 50V KB	CCKT1H331KB
MAIN	C351		nsp	00MOA22505020	ELECT CAP.	2.2UF 50V	CCEA1HN2R2T
MAIN	C601		nsp	00MOA47701020	ELECT CAP.	470UF 10V	CCEA1AH471T
MAIN	C602		nsp	nsp	CER. CAP.	0.01UF 50V Z	HCBS1H103ZFT
MAIN	C603		nsp	nsp	CER. CAP.	27PF 50V JC	CCCT1H270JC
MAIN	C604		nsp	nsp	CER. CAP.	27PF 50V JC	CCCT1H270JC
MAIN	C605		nsp	nsp	CER. CAP.	0.01UF 50V Z	HCBS1H103ZFT
MAIN	C611		nsp	00MOA10505020	ELECT CAP.	1UF 50V	CCEA1HH1R0T
MAIN	C612		nsp	00MOA10405020	ELECT CAP.	100UF 50V	CCEA1HH0R1T
MAIN	C621		nsp	nsp	CER. CAP.	100PF 50V KB	CCKT1H101KB
MAIN	C622		nsp	nsp	CER. CAP.	100PF 50V KB	CCKT1H101KB
MAIN	C623		nsp	nsp	CER. CAP.	100PF 50V KB	CCKT1H101KB
MAIN	C624		nsp	nsp	CER. CAP.	100PF 50V KB	CCKT1H101KB
MAIN	C701		nsp	90M-OA000160R	ELECT CAP.	3300UF/35V	CCEA1VH332E
MAIN	C702		nsp	00MOA22703520	ELECT CAP.	220UF 35V	CCEA1VH221T
MAIN	C703		nsp	00MOA22703520	ELECT CAP.	220UF 35V	CCEA1VH221T
MAIN	C704		nsp	00MOA22703520	ELECT CAP.	220UF 35V	CCEA1VH221T
MAIN	C705		nsp	00MOA22701620	ELECT CAP.	220UF 16V	CCEA1CH221T
MAIN	C706		nsp	nsp	CER. CAP.	680PF 50V K	CCKT1H681KB
MAIN	C707		nsp	nsp	CER. CAP.	680PF 50V K	CCKT1H681KB
MAIN	C708		nsp	nsp	CER. CAP.	680PF 50V K	CCKT1H681KB
MAIN	C709		nsp	00MOA47605020	ELECT CAP.	47UF 50V	CCEA1HH470T
MAIN	C710		nsp	nsp	CER. CAP.	680PF 50V K	CCKT1H681KB
MAIN	C711		nsp	nsp	CER. CAP.	680PF 50V K	CCKT1H681KB
MAIN	C712		nsp	00MOA47605020	ELECT CAP.	47UF 50V	CCEA1HH470T
MAIN	C713		nsp	00MOA47605020	ELECT CAP.	47UF 50V	CCEA1HH470T
MAIN	C714		nsp	00MOA33505020	ELECT CAP.	3.3UF 50V	CCEA1HH3R3T
MAIN	C715		nsp	nsp	CER. CAP.	680PF 50V K	CCKT1H681KB
MAIN	C720		nsp	nsp	CER. CAP.	0.022UF 50V Z	CCFT1H223ZF
MAIN	C801		nsp	00MOA22701620	ELECT CAP.	220UF 16V	CCEA1CH221T
MAIN	C802		nsp	nsp	CER. CAP.	0.01UF 50V Z	CCFT1H103ZF
MAIN	C805		nsp	00MOA10603540	ELECT CAP.	10UF 35V	CCEA1VH100T
MAIN	C806		nsp	nsp	CER. CAP.	0.01UF 50V Z	HCBS1H103ZFT
MAIN	C808		nsp	nsp	CER. CAP.	27PF 50V JC	CCCT1H270JC
MAIN	C809		nsp	nsp	CER. CAP.	27PF 50V JC	CCCT1H270JC
MAIN	C810		nsp	nsp	CER. CAP.	100PF 50V K	HCBS1H101KBT
MAIN	C811		nsp	nsp	CER. CAP.	100PF 50V KB	CCKT1H101KB
MAIN	C812		nsp	00MOA10505020	ELECT CAP.	1UF 50V	CCEA1HH1R0T
MAIN	C813		nsp	00MOA10603540	ELECT CAP.	10UF 35V	CCEA1VH100T
MAIN	C814		nsp	00MOA10505020	ELECT CAP.	1UF 50V	CCEA1HH1R0T
MAIN	CF11		90M-FF100260R	90M-FF100260R	CER. FILTER	FILTER , CERAMIC ( FM )	HVFE107MX2HAT
MAIN	CF12		90M-FF100270R	90M-FF100270R	CER. FILTER	FILTER , CERAMIC ( FM )	HVFE107M22HAT
MAIN	CF13		90M-FF100270R	90M-FF100270R	CER. FILTER	FILTER , CERAMIC ( FM )	HVFE107M22HAT
MAIN	CF14		90M-FF100270R	90M-FF100270R	CER. FILTER	FILTER , CERAMIC ( FM )	HVFE107M22HAT
MAIN	CF22		90M-FF100290R	90M-FF100290R	CER. FILTER	FILTER , CERAMIC	HVFCFULA450KE1Y
MAIN	CN72		nsp	nsp	CONN.	STRAIGHT, 7PIN	CJP07GA01ZY
MAIN	CN74		nsp	nsp	CONN.	STRAIGHT, 2PIN	CJP02GA01ZY
MAIN	CN91		nsp	nsp	CONN.	10P STRAIGHT	CJP10GA19ZY

NOTE : \*nsp\* PART IS LISTED FOR REFERENCE ONLY, MARANTZ WILL NOT SUPPLY THESE PARTS.

P.C.B. NAME	POS. NO.	VERS. COLOR	PART NO. (FOR EUR)	PART NO. (MZ)	PART NAME	DESCRIPTION	
MAIN	CN92		nsp	nsp	CONN.	10P STRAIGHT	CJP10GA19ZY
MAIN	CT21		90M-CT000130R	90M-CT000130R	TRIM. CAP.	CAP, VARIABLE	HCRA020T14
MAIN	CT22		90M-CT000130R	90M-CT000130R	TRIM. CAP.	CAP, VARIABLE	HCRA020T14
MAIN	D101		nsp	00MHD20015210	DIODE	1SS133T-77	HVD1SS133MT
MAIN	D102		nsp	00MHD20015210	DIODE	1SS133T-77	HVD1SS133MT
MAIN	D103		nsp	90M-HD201790R	DIODE	1N4148	HVD1N4148T
MAIN	D111		nsp	00MHD20015210	DIODE	1SS133T-77	HVD1SS133MT
MAIN	D112		nsp	00MHD20015210	DIODE	1SS133T-77	HVD1SS133MT
MAIN	D113		nsp	00MHD20015210	DIODE	1SS133T-77	HVD1SS133MT
MAIN	D201		90M-HD400150R	90M-HD400150R	DIODE	SVC321C-2	HVDSVC321C
MAIN	D202		nsp	00MHD20015210	DIODE	1SS133T-77	HVD1SS133MT
MAIN	D203		nsp	00MHD20015210	DIODE	1SS133T-77	HVD1SS133MT
MAIN	D205		nsp	90M-HD201790R	DIODE	1N4148	HVD1N4148T
MAIN	D206		nsp	90M-HD201790R	DIODE	1N4148	HVD1N4148T
MAIN	D301		nsp	90M-HD201790R	DIODE	1N4148	HVD1N4148T
MAIN	D302		nsp	00MHD20015210	DIODE	1SS133T-77	HVD1SS133MT
MAIN	D501		nsp	00MHD20015210	DIODE	1SS133T-77	HVD1SS133MT
MAIN	D502		nsp	00MHD20015210	DIODE	1SS133T-77	HVD1SS133MT
MAIN	D601		nsp	00MHD20015210	DIODE	1SS133T-77	HVD1SS133MT
MAIN	D602		nsp	00MHD20015210	DIODE	1SS133T-77	HVD1SS133MT
MAIN	D603		nsp	90M-HD201790R	DIODE	1N4148	HVD1N4148T
MAIN	D701		nsp	90M-HD201730R	DIODE	1N4003	KVD1N4003ST
MAIN	D702		nsp	90M-HD201730R	DIODE	1N4003	KVD1N4003ST
MAIN	D703		nsp	90M-HD201730R	DIODE	1N4003	KVD1N4003ST
MAIN	D704		nsp	90M-HD201730R	DIODE	1N4003	KVD1N4003ST
MAIN	D705		nsp	90M-HD201750R	DIODE	1N4003	CVD1N4003SRT
MAIN	▲ D710		90M-HD201730R	90M-HD201730R	DIODE	1N4003	KVD1N4003ST
MAIN	▲ D711		90M-HD201730R	90M-HD201730R	DIODE	1N4003	KVD1N4003ST
MAIN	D712		90M-HD301440R	90M-HD301440R	ZENER DIODE	UZ30BM	KVDUZ30BMT
MAIN	D713		90M-HD301720R	90M-HD301720R	ZENER DIODE	UZ6.8BM	KVDUZ6.8BMT
MAIN	D801		nsp	90M-HD201790R	DIODE	1N4148	HVD1N4148T
MAIN	D802		nsp	00MHD20015210	DIODE	1SS133T-77	HVD1SS133MT
MAIN	D803		nsp	00MHD20015210	DIODE	1SS133T-77	HVD1SS133MT
MAIN	FP11		90M-AV000510R	90M-AV000510R	TUNER	TUNER , PACK	CNVKSTF724HA
MAIN	IC12		90M-HC105130R	90M-HC105130R	IC	LA1235	HVILA1235
MAIN	IC21		90M-HC105120R	90M-HC105120R	IC	LA1135	HVILA1135
MAIN	IC31		90M-HC105050R	90M-HC105050R	IC	LA3401	HVILA3401
MAIN	IC32		90M-HC104120R	90M-HC104120R	IC	MC4558S	HVIMC4558S
MAIN	IC61		90M-HC104820R	90M-HC104820R	IC	LC72131M	HVILC72131M
MAIN	▲ IC71		90M-HC300480R	90M-HC300480R	IC	! KA7815-ABTU	HVIMC7815C
MAIN	▲ IC72		90M-HC300500R	90M-HC300500R	IC	! KA7805-ABTU	HVIMC7805C
MAIN	IC81		90M-HC105170R	90M-HC105170R	IC	TDA7330BD	HVITDA7330BD
MAIN	J100		nsp	nsp	CORD	SN95/PB5, 0.6	C3A206
MAIN	J101		nsp	nsp	CORD	SN95/PB5, 0.6	C3A206
MAIN	J102		nsp	nsp	CORD	SN95/PB5, 0.6	C3A206
MAIN	J103		nsp	nsp	CORD	SN95/PB5, 0.6	C3A206
MAIN	J104		nsp	nsp	CORD	SN95/PB5, 0.6	C3A206
MAIN	J105		nsp	nsp	CORD	SN95/PB5, 0.6	C3A206
MAIN	J106		nsp	nsp	CORD	SN95/PB5, 0.6	C3A206
MAIN	J107		nsp	nsp	CORD	SN95/PB5, 0.6	C3A206
MAIN	J108		nsp	nsp	CORD	SN95/PB5, 0.6	C3A206
MAIN	J109		nsp	nsp	CORD	SN95/PB5, 0.6	C3A206
MAIN	J110		nsp	nsp	CORD	SN95/PB5, 0.6	C3A206
MAIN	J111		nsp	nsp	CORD	SN95/PB5, 0.6	C3A206
MAIN	J112		nsp	nsp	CORD	SN95/PB5, 0.6	C3A206
MAIN	J113		nsp	nsp	CORD	SN95/PB5, 0.6	C3A206
MAIN	J114		nsp	nsp	CORD	SN95/PB5, 0.6	C3A206
MAIN	J115		nsp	nsp	CORD	SN95/PB5, 0.6	C3A206
MAIN	J116		nsp	nsp	CORD	SN95/PB5, 0.6	C3A206
MAIN	J117		nsp	nsp	CORD	SN95/PB5, 0.6	C3A206
MAIN	J118		nsp	nsp	CORD	SN95/PB5, 0.6	C3A206
MAIN	J119		nsp	nsp	CORD	SN95/PB5, 0.6	C3A206
MAIN	J120		nsp	nsp	CORD	SN95/PB5, 0.6	C3A206
MAIN	J121		nsp	nsp	CORD	SN95/PB5, 0.6	C3A206
MAIN	J122		nsp	nsp	CORD	SN95/PB5, 0.6	C3A206
MAIN	J123		nsp	nsp	CORD	SN95/PB5, 0.6	C3A206
MAIN	J124		nsp	nsp	CORD	SN95/PB5, 0.6	C3A206

NOTE : "nsp" PART IS LISTED FOR REFERENCE ONLY, MARANTZ WILL NOT SUPPLY THESE PARTS.

P.C.B. NAME	POS. NO.	VERS. COLOR	PART NO. (FOR EUR)	PART NO. (MZ)	PART NAME	DESCRIPTION	
MAIN	J125		nsp	nsp	CORD	SN95/PB5, 0.6	C3A206
MAIN	J127		nsp	nsp	CORD	SN95/PB5, 0.6	C3A206
MAIN	J128		nsp	nsp	CORD	SN95/PB5, 0.6	C3A206
MAIN	J129		nsp	nsp	CORD	SN95/PB5, 0.6	C3A206
MAIN	J130		nsp	nsp	CORD	SN95/PB5, 0.6	C3A206
MAIN	J131		nsp	nsp	CORD	SN95/PB5, 0.6	C3A206
MAIN	J132		nsp	nsp	CORD	SN95/PB5, 0.6	C3A206
MAIN	J133		nsp	nsp	CORD	SN95/PB5, 0.6	C3A206
MAIN	J134		nsp	nsp	CORD	SN95/PB5, 0.6	C3A206
MAIN	J135		nsp	nsp	CORD	SN95/PB5, 0.6	C3A206
MAIN	J136		nsp	nsp	CORD	SN95/PB5, 0.6	C3A206
MAIN	J137		nsp	nsp	CORD	SN95/PB5, 0.6	C3A206
MAIN	J138		nsp	nsp	CORD	SN95/PB5, 0.6	C3A206
MAIN	J139		nsp	nsp	CORD	SN95/PB5, 0.6	C3A206
MAIN	J140		nsp	nsp	CORD	SN95/PB5, 0.6	C3A206
MAIN	J141		nsp	nsp	CORD	SN95/PB5, 0.6	C3A206
MAIN	J142		nsp	nsp	CORD	SN95/PB5, 0.6	C3A206
MAIN	J143		nsp	nsp	CORD	SN95/PB5, 0.6	C3A206
MAIN	J144		nsp	nsp	CORD	SN95/PB5, 0.6	C3A206
MAIN	J145		nsp	nsp	CORD	SN95/PB5, 0.6	C3A206
MAIN	J146		nsp	nsp	CORD	SN95/PB5, 0.6	C3A206
MAIN	J147		nsp	nsp	CORD	SN95/PB5, 0.6	C3A206
MAIN	J148		nsp	nsp	CORD	SN95/PB5, 0.6	C3A206
MAIN	J150		nsp	nsp	CORD	SN95/PB5, 0.6	C3A206
MAIN	J151		nsp	nsp	CORD	SN95/PB5, 0.6	C3A206
MAIN	J152		nsp	nsp	CORD	SN95/PB5, 0.6	C3A206
MAIN	J153		nsp	nsp	CORD	SN95/PB5, 0.6	C3A206
MAIN	J154		nsp	nsp	CORD	SN95/PB5, 0.6	C3A206
MAIN	J155		nsp	nsp	CORD	SN95/PB5, 0.6	C3A206
MAIN	J159		nsp	nsp	CORD	SN95/PB5, 0.6	C3A206
MAIN	J160		nsp	nsp	CORD	SN95/PB5, 0.6	C3A206
MAIN	J161		nsp	nsp	CORD	SN95/PB5, 0.6	C3A206
MAIN	J165		nsp	nsp	CORD	SN95/PB5, 0.6	C3A206
MAIN	J166		nsp	nsp	CORD	SN95/PB5, 0.6	C3A206
MAIN	J168		nsp	nsp	CORD	SN95/PB5, 0.6	C3A206
MAIN	J169		nsp	nsp	CORD	SN95/PB5, 0.6	C3A206
MAIN	J170		nsp	nsp	CORD	SN95/PB5, 0.6	C3A206
MAIN	J171		nsp	nsp	CORD	SN95/PB5, 0.6	C3A206
MAIN	J172		nsp	nsp	CORD	SN95/PB5, 0.6	C3A206
MAIN	J173		nsp	nsp	CORD	SN95/PB5, 0.6	C3A206
MAIN	J174		nsp	nsp	CORD	SN95/PB5, 0.6	C3A206
MAIN	J175		nsp	nsp	CORD	SN95/PB5, 0.6	C3A206
MAIN	J179		nsp	nsp	CORD	SN95/PB5, 0.6	C3A206
MAIN	J180		nsp	nsp	CORD	SN95/PB5, 0.6	C3A206
MAIN	J181		nsp	nsp	CORD	SN95/PB5, 0.6	C3A206
MAIN	J182		nsp	nsp	CORD	SN95/PB5, 0.6	C3A206
MAIN	J183		nsp	nsp	CORD	SN95/PB5, 0.6	C3A206
MAIN	J185		nsp	nsp	CORD	SN95/PB5, 0.6	C3A206
MAIN	J186		nsp	nsp	CORD	SN95/PB5, 0.6	C3A206
MAIN	J187		nsp	nsp	CORD	SN95/PB5, 0.6	C3A206
MAIN	J188		nsp	nsp	CORD	SN95/PB5, 0.6	C3A206
MAIN	J189		nsp	nsp	CORD	SN95/PB5, 0.6	C3A206
MAIN	J190		nsp	nsp	CORD	SN95/PB5, 0.6	C3A206
MAIN	J191		nsp	nsp	CORD	SN95/PB5, 0.6	C3A206
MAIN	J192		nsp	nsp	CORD	SN95/PB5, 0.6	C3A206
MAIN	J193		nsp	nsp	CORD	SN95/PB5, 0.6	C3A206
MAIN	J196		nsp	nsp	CORD	SN95/PB5, 0.6	C3A206
MAIN	J197		nsp	nsp	CORD	SN95/PB5, 0.6	C3A206
MAIN	J198		nsp	nsp	CORD	SN95/PB5, 0.6	C3A206
MAIN	J199		nsp	nsp	CORD	SN95/PB5, 0.6	C3A206
MAIN	J201		nsp	nsp	CORD	SN95/PB5, 0.6	C3A206
MAIN	J202		nsp	nsp	CORD	SN95/PB5, 0.6	C3A206
MAIN	J203		nsp	nsp	CORD	SN95/PB5, 0.6	C3A206
MAIN	J204		nsp	nsp	CORD	SN95/PB5, 0.6	C3A206
MAIN	J205		nsp	nsp	CORD	SN95/PB5, 0.6	C3A206
MAIN	J206		nsp	nsp	CORD	SN95/PB5, 0.6	C3A206
MAIN	J207		nsp	nsp	CORD	SN95/PB5, 0.6	C3A206

NOTE : \*nsp\* PART IS LISTED FOR REFERENCE ONLY, MARANTZ WILL NOT SUPPLY THESE PARTS.

P.C.B. NAME	POS. NO.	VERS. COLOR	PART NO. (FOR EUR)	PART NO. (MZ)	PART NAME	DESCRIPTION	
MAIN	J208		nsp	nsp	CORD	SN95/PB5, 0.6	C3A206
MAIN	J209		nsp	nsp	CORD	SN95/PB5, 0.6	C3A206
MAIN	J210		nsp	nsp	CORD	SN95/PB5, 0.6	C3A206
MAIN	J211		nsp	nsp	CORD	SN95/PB5, 0.6	C3A206
MAIN	J212		nsp	nsp	CORD	SN95/PB5, 0.6	C3A206
MAIN	J213		nsp	nsp	CORD	SN95/PB5, 0.6	C3A206
MAIN	J215		nsp	nsp	CORD	SN95/PB5, 0.6	C3A206
MAIN	J216		nsp	nsp	CORD	SN95/PB5, 0.6	C3A206
MAIN	J217		nsp	nsp	CORD	SN95/PB5, 0.6	C3A206
MAIN	J219		nsp	nsp	CORD	SN95/PB5, 0.6	C3A206
MAIN	J220		nsp	nsp	CORD	SN95/PB5, 0.6	C3A206
MAIN	J221		nsp	nsp	CORD	SN95/PB5, 0.6	C3A206
MAIN	J222		nsp	nsp	CORD	SN95/PB5, 0.6	C3A206
MAIN	J223		nsp	nsp	CORD	SN95/PB5, 0.6	C3A206
MAIN	J224		nsp	nsp	CORD	SN95/PB5, 0.6	C3A206
MAIN	J225		nsp	nsp	CORD	SN95/PB5, 0.6	C3A206
MAIN	J226		nsp	nsp	CORD	SN95/PB5, 0.6	C3A206
MAIN	J227		nsp	nsp	CORD	SN95/PB5, 0.6	C3A206
MAIN	J228		nsp	nsp	CORD	SN95/PB5, 0.6	C3A206
MAIN	J229		nsp	nsp	CORD	SN95/PB5, 0.6	C3A206
MAIN	J230		nsp	nsp	CORD	SN95/PB5, 0.6	C3A206
MAIN	J231		nsp	nsp	CORD	SN95/PB5, 0.6	C3A206
MAIN	J232		nsp	nsp	CORD	SN95/PB5, 0.6	C3A206
MAIN	J233		nsp	nsp	CORD	SN95/PB5, 0.6	C3A206
MAIN	J234		nsp	nsp	CORD	SN95/PB5, 0.6	C3A206
MAIN	J251		nsp	nsp	CORD	SN95/PB5, 0.6	C3A206
MAIN	J252		nsp	nsp	CORD	SN95/PB5, 0.6	C3A206
MAIN	J253		nsp	nsp	CORD	SN95/PB5, 0.6	C3A206
MAIN	J254		nsp	nsp	CORD	SN95/PB5, 0.6	C3A206
MAIN	J255		nsp	nsp	CORD	SN95/PB5, 0.6	C3A206
MAIN	J257		nsp	nsp	CORD	SN95/PB5, 0.6	C3A206
MAIN	J258		nsp	nsp	CORD	SN95/PB5, 0.6	C3A206
MAIN	J291		nsp	nsp	CORD	SN95/PB5, 0.6	C3A206
MAIN	JK11		90M-YT001630R	90M-YT001630R	TERMINAL	TERMINAL , ANT (EUR 75 OHM)	CJJ3G009Z
MAIN	JK12		90M-YT004840R	90M-YT004840R	TERMINAL	3P CINCH (R/W/O)	CJJ4S044Z
MAIN	JK13		90M-YT001830R	90M-YT001830R	TERMINAL	TERMINAL FM ANT (75 OHM)	HJJ3G002Z
MAIN	JW12		nsp	nsp	CORD	WIRE ASSY	CWZNT20001
MAIN	JW13		nsp	nsp	CORD	WIRE ASSY	CWE8202040AA
MAIN	L101		nsp	nsp	COIL	COIL , FILTER	CLA4Y106Z
MAIN	L133		90M-LC106650R	90M-LC106650R	COIL	COIL	CLQA183KWCZ
MAIN	L202		90M-LA000130R	90M-LA000130R	ANT COIL	COIL AM ANT1	CLA2C004
MAIN	L203		90M-LA000120R	90M-LA000120R	ANT COIL	COIL LW ANT	CLA1B005
MAIN	L204		90M-LO000080R	90M-LO000080R	OSC. COIL	COIL , AM OSC	CLO2B010
MAIN	L205		90M-LO000070R	90M-LO000070R	OSC. COIL	COIL LW OSC	CLO1B006
MAIN	L206		90M-LC107260R	90M-LC107260R	COIL	COIL	CLQB542KLZ
MAIN	L207		nsp	nsp	COIL	COIL , AXIAL	HLQ02C270JT
MAIN	L208		nsp	nsp	COIL	INDUCTOR 4.7UH	HLQ02C4R7KT
MAIN	L302		90M-LS000060R	90M-LS000060R	M.P.X. COIL	COIL , MPX	CLM5B2-T
MAIN	L303		90M-LS000060R	90M-LS000060R	M.P.X. COIL	COIL , MPX	CLM5B2-T
MAIN	L701		90M-TC000350R	90M-TC000350R	TRANSF.	COIL , INDUCTOR	CLQB101KLZ
MAIN	Q101		90M-BA001460R	90M-BA001460R	TRS.	KRC107M	HVTKRC107MT
MAIN	Q102		90M-BA001090R	90M-BA001090R	TRS.	KRA114M	HVTKRA114MT
MAIN	Q103		90M-BA001090R	90M-BA001090R	TRS.	KRA114M	HVTKRA114MT
MAIN	Q104		90M-HT300480R	90M-HT300480R	TRS.	KTC3192O	HVTKTC3192OT
MAIN	Q105		90M-HT300480R	90M-HT300480R	TRS.	KTC3192O	HVTKTC3192OT
MAIN	Q106		90M-HT300480R	90M-HT300480R	TRS.	KTC3192O	HVTKTC3192OT
MAIN	Q107		90M-HT300480R	90M-HT300480R	TRS.	KTC3192O	HVTKTC3192OT
MAIN	Q111		90M-BA001450R	90M-BA001450R	TRS.	KRA107M	HVTKRA107MT
MAIN	Q112		90M-BA001450R	90M-BA001450R	TRS.	KRA107M	HVTKRA107MT
MAIN	Q113		90M-BA001460R	90M-BA001460R	TRS.	KRC107M	HVTKRC107MT
MAIN	Q201		90M-HF200250R	90M-HF200250R	F.E.T.	2SK715W-AC	HVTKTK715T
MAIN	Q202		90M-HT800050R	90M-HT800050R	TRS.	KTC3198Y	HVTKTC3198YT
MAIN	Q203		90M-BA001460R	90M-BA001460R	TRS.	KRC107M	HVTKRC107MT
MAIN	Q204		00MBA20004000	00MBA20004000	TRS.	KRC111M	HVTKRC111MT
MAIN	Q205		00MBA20004000	00MBA20004000	TRS.	KRC111M	HVTKRC111MT
MAIN	Q206		90M-BA001460R	90M-BA001460R	TRS.	KRC107M	HVTKRC107MT
MAIN	Q207		00MBA20004000	00MBA20004000	TRS.	KRC111M	HVTKRC111MT

NOTE : "nsp" PART IS LISTED FOR REFERENCE ONLY, MARANTZ WILL NOT SUPPLY THESE PARTS.



P.C.B. NAME	POS. NO.	VERS. COLOR	PART NO. (FOR EUR)	PART NO. (MZ)	PART NAME	DESCRIPTION	
MAIN	Q208		00MBA20004000	00MBA20004000	TRS.	KRC111M	HVTKRC111MT
MAIN	Q209		00MBA20004000	00MBA20004000	TRS.	KRC111M	HVTKRC111MT
MAIN	Q210		90M-BA001530R	90M-BA001530R	TRS.	KTC114M	HVTKRC114MT
MAIN	Q301		90M-BA001460R	90M-BA001460R	TRS.	KRC107M	HVTKRC107MT
MAIN	Q302		90M-BA001590R	90M-BA001590R	TRS.	KRC110M	HVTKRC110MT
MAIN	Q303		90M-BA001590R	90M-BA001590R	TRS.	KRC110M	HVTKRC110MT
MAIN	Q304		90M-BA001090R	90M-BA001090R	TRS.	KRA114M	HVTKRA114MT
MAIN	Q306		00MBA20002000	00MBA20002000	TRS.	KRC104M	HVTKRC104MT
MAIN	Q308		90M-BA001590R	90M-BA001590R	TRS.	KRC110M	HVTKRC110MT
MAIN	Q309		90M-BA001590R	90M-BA001590R	TRS.	KRC110M	HVTKRC110MT
MAIN	Q501		90M-BA001450R	90M-BA001450R	TRS.	KRA107M	HVTKRA107MT
MAIN	Q502		90M-BA001530R	90M-BA001530R	TRS.	KTC114M	HVTKRC114MT
MAIN	Q601		90M-BA001450R	90M-BA001450R	TRS.	KRA107M	HVTKRA107MT
MAIN	Q602		90M-BA001450R	90M-BA001450R	TRS.	KRA107M	HVTKRA107MT
MAIN	▲ Q701		90M-HT100320R	90M-HT100320R	TRS.	KTA1274Y	HVTKTA1274YT
MAIN	Q702		90M-BA001530R	90M-BA001530R	TRS.	KTC114M	HVTKRC114MT
MAIN	R101		nsp	nsp	RES.	47 OHM 1/5W J	CRD20TJ470T
MAIN	R104		nsp	nsp	RES.	5.6K OHM 1/5W J	CRD20TJ562T
MAIN	R105		nsp	nsp	RES.	6.8K OHM 1/5W J	CRD20TJ682T
MAIN	R106		nsp	nsp	RES.	100 OHM 1/5W J	CRD20TJ101T
MAIN	R108		nsp	nsp	RES.	6.8K OHM 1/5W J	CRD20TJ682T
MAIN	R109		nsp	nsp	RES.	10K OHM 1/5W J	CRD20TJ103T
MAIN	R110		nsp	nsp	RES.	330 OHM 1/5W J	CRD20TJ331T
MAIN	R111		nsp	nsp	RES.	1K OHM 1/5W J	CRD20TJ102T
MAIN	R112		nsp	nsp	RES.	820 OHM 1/5W J	CRD20TJ821T
MAIN	R113		nsp	nsp	RES.	220 OHM 1/5W J	CRD20TJ221T
MAIN	R114		nsp	nsp	RES.	27K OHM 1/6W J	CRD20TJ273T
MAIN	R115		nsp	nsp	RES.	18K OHM 1/5W J	CRD20TJ183T
MAIN	R116		nsp	nsp	RES.	6.8K OHM 1/5W J	CRD20TJ682T
MAIN	R117		nsp	nsp	RES.	3.3K OHM 1/5W J	CRD20TJ332T
MAIN	R119		nsp	nsp	RES.	330 OHM 1/5W J	CRD20TJ331T
MAIN	R122		nsp	nsp	RES.	1K OHM 1/5W J	CRD20TJ102T
MAIN	R123		nsp	nsp	RES.	2.7K OHM 1/5W J	CRD20TJ272T
MAIN	R125		nsp	nsp	RES.	150 OHM 1/6W J	CRD20TJ151T
MAIN	R126		nsp	nsp	RES.	5.6K OHM 1/5W J	CRD20TJ562T
MAIN	R127		nsp	nsp	RES.	330 OHM 1/5W J	CRD20TJ331T
MAIN	R130		nsp	nsp	RES.	10K OHM 1/5W J	CRD20TJ103T
MAIN	R131		nsp	nsp	RES.	22K OHM 1/5W J	CRD20TJ223T
MAIN	R132		nsp	nsp	RES.	2.7K OHM 1/5W J	CRD20TJ272T
MAIN	R133		nsp	nsp	RES.	2.7K OHM 1/5W J	CRD20TJ272T
MAIN	R134		nsp	nsp	RES.	10 OHM 1/5W J	CRD20TJ100T
MAIN	R151		nsp	nsp	RES.	6.8K OHM 1/5W J	CRD20TJ682T
MAIN	R152		nsp	nsp	RES.	6.8K OHM 1/5W J	CRD20TJ682T
MAIN	R153		nsp	nsp	RES.	3.3K OHM 1/5W J	CRD20TJ332T
MAIN	R155		nsp	nsp	RES.	150K OHM 1/5W	CRD20TJ154T
MAIN	R156		nsp	nsp	RES.	10K OHM 1/5W J	CRD20TJ103T
MAIN	R158		nsp	nsp	RES.	100 OHM 1/5W J	CRD20TJ101T
MAIN	R160		nsp	nsp	RES.	1K OHM 1/5W J	CRD20TJ102T
MAIN	R161		nsp	nsp	RES.	1K OHM 1/5W J	CRD20TJ102T
MAIN	R162		nsp	nsp	RES.	680 OHM 1/5W J	CRD20TJ681T
MAIN	R163		nsp	nsp	RES.	220 OHM 1/5W J	CRD20TJ221T
MAIN	R164		nsp	nsp	RES.	27K OHM 1/6W J	CRD20TJ273T
MAIN	R165		nsp	nsp	RES.	18K OHM 1/5W J	CRD20TJ183T
MAIN	R201		nsp	nsp	RES.	1M OHM 1/5W J	CRD20TJ105T
MAIN	R202		nsp	nsp	RES.	1K OHM 1/5W J	CRD20TJ102T
MAIN	R203		nsp	nsp	RES.	100K OHM 1/5W J	CRD20TJ104T
MAIN	R204		nsp	nsp	RES.	68 OHM 1/5W J	CRD20TJ680T
MAIN	R205		nsp	nsp	RES.	68 OHM 1/5W J	CRD20TJ680T
MAIN	R206		nsp	nsp	RES.	330 OHM 1/5W J	CRD20TJ331T
MAIN	R207		nsp	nsp	RES.	68 OHM 1/5W J	CRD20TJ680T
MAIN	R208		nsp	nsp	RES.	10K OHM 1/5W J	CRD20TJ103T
MAIN	R209		nsp	nsp	RES.	10K OHM 1/5W J	CRD20TJ103T
MAIN	R210		nsp	nsp	RES.	1K OHM 1/5W J	CRD20TJ102T
MAIN	R211		nsp	nsp	RES.	1K OHM 1/5W J	CRD20TJ102T
MAIN	R212		nsp	nsp	RES.	2.2K OHM 1/5W J	CRD20TJ222T
MAIN	R213		nsp	nsp	RES.	150 OHM 1/6W J	CRD20TJ151T
MAIN	R214		nsp	nsp	RES.	2.2K OHM 1/5W J	CRD20TJ222T

NOTE : \*nsp\* PART IS LISTED FOR REFERENCE ONLY, MARANTZ WILL NOT SUPPLY THESE PARTS.

P.C.B. NAME	POS. NO.	VERS. COLOR	PART NO. (FOR EUR)	PART NO. (MZ)	PART NAME	DESCRIPTION
MAIN	R215		nsp	nsp	RES.	4.7K OHM 1/5W J CRD20TJ472T
MAIN	R216		nsp	nsp	RES.	10K OHM 1/5W J CRD20TJ103T
MAIN	R217		nsp	nsp	RES.	91K OHM 1/5W J CRD20TJ913T
MAIN	R218		nsp	nsp	RES.	5.6K OHM 1/5W J CRD20TJ562T
MAIN	R220		nsp	nsp	RES.	2.2K OHM 1/5W J CRD20TJ222T
MAIN	R221		nsp	nsp	RES.	22K OHM 1/5W J CRD20TJ223T
MAIN	R222		nsp	nsp	RES.	47K OHM 1/5W J CRD20TJ473T
MAIN	R223		nsp	nsp	RES.	27K OHM 1/6W J CRD20TJ273T
MAIN	R301		nsp	nsp	RES.	150 OHM 1/6W J CRD20TJ151T
MAIN	R302		nsp	nsp	RES.	3.9K OHM 1/5W CRD20TJ392T
MAIN	R303		nsp	nsp	RES.	3.3K OHM 1/5W J CRD20TJ332T
MAIN	R304		nsp	nsp	RES.	3.3K OHM 1/5W J CRD20TJ332T
MAIN	R306		nsp	nsp	RES.	91K OHM 1/5W J CRD20TJ913T
MAIN	R307		nsp	nsp	RES.	91K OHM 1/5W J CRD20TJ913T
MAIN	R308		nsp	nsp	RES.	10K OHM 1/5W J CRD20TJ103T
MAIN	R309		nsp	nsp	RES.	10K OHM 1/5W J CRD20TJ103T
MAIN	R310		nsp	nsp	RES.	150K OHM 1/5W CRD20TJ154T
MAIN	R311		nsp	nsp	RES.	150K OHM 1/5W CRD20TJ154T
MAIN	R312		nsp	nsp	RES.	3.3K OHM 1/5W J CRD20TJ332T
MAIN	R313		nsp	nsp	RES.	3.3K OHM 1/5W J CRD20TJ332T
MAIN	R315		nsp	nsp	RES.	1K OHM 1/5W J CRD20TJ102T
MAIN	R316		nsp	nsp	RES.	47K OHM 1/5W J CRD20TJ473T
MAIN	R317		nsp	nsp	RES.	47K OHM 1/5W J CRD20TJ473T
MAIN	R318		nsp	nsp	RES.	47K OHM 1/5W J CRD20TJ473T
MAIN	R322		nsp	nsp	RES.	3.3K OHM 1/5W J CRD20TJ332T
MAIN	R323		nsp	nsp	RES.	3.3K OHM 1/5W J CRD20TJ332T
MAIN	R324		nsp	nsp	RES.	100K OHM 1/5W J CRD20TJ104T
MAIN	R325		nsp	nsp	RES.	100K OHM 1/5W J CRD20TJ104T
MAIN	R326		nsp	nsp	RES.	5.6K OHM 1/5W J CRD20TJ562T
MAIN	R327		nsp	nsp	RES.	5.6K OHM 1/5W J CRD20TJ562T
MAIN	R328		nsp	nsp	RES.	100 OHM 1/5W J CRD20TJ101T
MAIN	R329		nsp	nsp	RES.	100 OHM 1/5W J CRD20TJ101T
MAIN	R330		nsp	nsp	RES.	1K OHM 1/5W J CRD20TJ102T
MAIN	R331		nsp	nsp	RES.	1K OHM 1/5W J CRD20TJ102T
MAIN	R332		nsp	nsp	RES.	100K OHM 1/5W J CRD20TJ104T
MAIN	R333		nsp	nsp	RES.	100K OHM 1/5W J CRD20TJ104T
MAIN	R334		nsp	nsp	RES.	100 OHM 1/5W J CRD20TJ101T
MAIN	R335		nsp	nsp	RES.	100 OHM 1/5W J CRD20TJ101T
MAIN	R340		nsp	nsp	RES.	330 OHM 1/5W J CRD20TJ331T
MAIN	R341		nsp	nsp	RES.	10K OHM 1/5W J CRD20TJ103T
MAIN	R342		nsp	nsp	RES.	10K OHM 1/5W J CRD20TJ103T
MAIN	R343		nsp	nsp	RES.	1K OHM 1/5W J CRD20TJ102T
MAIN	R344		nsp	nsp	RES.	100K OHM 1/5W J CRD20TJ104T
MAIN	R345		nsp	nsp	RES.	2.2K OHM 1/5W J CRD20TJ222T
MAIN	R346		nsp	nsp	RES.	100 OHM 1/5W J CRD20TJ101T
MAIN	R351		nsp	nsp	RES.	47K OHM 1/5W J CRD20TJ473T
MAIN	R352		nsp	nsp	RES.	47K OHM 1/5W J CRD20TJ473T
MAIN	R501		nsp	nsp	RES.	100K OHM 1/5W J CRD20TJ104T
MAIN	R502		nsp	nsp	RES.	10K OHM 1/5W J CRD20TJ103T
MAIN	R511		nsp	nsp	RES.	10K OHM 1/5W J CRD20TJ103T
MAIN	R601		nsp	nsp	RES.	10K OHM 1/5W J CRD20TJ103T
MAIN	R602		nsp	nsp	RES.	10K OHM 1/5W J CRD20TJ103T
MAIN	R603		nsp	nsp	RES.	10K OHM 1/5W J CRD20TJ103T
MAIN	R604		nsp	nsp	RES.	10K OHM 1/5W J CRD20TJ103T
MAIN	R605		nsp	nsp	RES.	1K OHM 1/5W J CRD20TJ102T
MAIN	R611		nsp	nsp	RES.	1K OHM 1/5W J CRD20TJ102T
MAIN	R612		nsp	nsp	RES.	2.2K OHM 1/5W J CRD20TJ222T
MAIN	R613		nsp	nsp	RES.	18K OHM 1/5W J CRD20TJ183T
MAIN	R615		nsp	nsp	RES.	47K OHM 1/5W J CRD20TJ473T
MAIN	R616		nsp	nsp	RES.	10K OHM 1/5W J CRD20TJ103T
MAIN	R617		nsp	nsp	RES.	4.7K OHM 1/5W J CRD20TJ472T
MAIN	R618		nsp	nsp	RES.	150 OHM 1/6W J CRD20TJ151T
MAIN	▲ R701		00MGA05100010	00MGA05100010	RES.	10 OHM CRG1ANJ100H
MAIN	▲ R702		00MGA05470010	00MGA05470010	RES.	47 OHM CRG1ANJ470H
MAIN	R703		nsp	nsp	RES.	18K OHM 1/5W J CRD20TJ183T
MAIN	R704		nsp	nsp	RES.	4.7K OHM 1/5W J CRD20TJ472T
MAIN	R711		nsp	nsp	RES.	47K OHM 1/5W J CRD20TJ473T

NOTE : "nsp" PART IS LISTED FOR REFERENCE ONLY, MARANTZ WILL NOT SUPPLY THESE PARTS.

P.C.B. NAME	POS. NO.	VERS. COLOR	PART NO. (FOR EUR)	PART NO. (MZ)	PART NAME	DESCRIPTION
MAIN	R712		nsp	nsp	RES.	330 OHM 1/5W J CRD20TJ331T
MAIN	R713		nsp	nsp	RES.	10 OHM 1/5W J CRD20TJ100T
MAIN	R714		nsp	nsp	RES.	47K OHM 1/5W J CRD20TJ473T
MAIN	R715		nsp	nsp	RES.	4.7 OHM 1/5W J CRD20TJ4R7T
MAIN	R716		nsp	nsp	RES.	4.7 OHM 1/5W J CRD20TJ4R7T
MAIN	R801		nsp	nsp	RES.	150 OHM 1/6W J CRD20TJ151T
MAIN	R802		nsp	nsp	RES.	1M OHM 1/5W J CRD20TJ105T
MAIN	S501		90M-SP000880R	90M-SP000880R	SW	SW , TACT CN KST1A010Z
MAIN	T101		90M-LI000110R	90M-LI000110R	I.F.T. COIL	IFT1 , EM1 CLI3B024Z
MAIN	T102		90M-LI000120R	90M-LI000120R	I.F.T. COIL	IFT2 , FM2 CLI3B025Z
MAIN	T201		90M-LI000090R	90M-LI000090R	I.F.T. COIL	I.F.T , AM 1 CLI2B108Z
MAIN	T202		90M-LI000100R	90M-LI000100R	I.F.T. COIL	I.F.T AM 2 CLI2B109Z
MAIN	TP11		nsp	nsp	CORD	SN95/PB5, 0.6 C3A206
MAIN	TP12		nsp	nsp	CORD	SN95/PB5, 0.6 C3A206
MAIN	TP13		nsp	nsp	CORD	SN95/PB5, 0.6 C3A206
MAIN	VR11		90M-RA000930R	90M-RA000930R	TRIM. RES.	RES, SEMI FIXED(100K OHM) HVN1RA104B01T
MAIN	VR12		90M-RA000880R	90M-RA000880R	TRIM. RES.	RES, SEMI FIXED(10K OHM) HVN1RA103B01T
MAIN	VR21		90M-RA000880R	90M-RA000880R	TRIM. RES.	RES, SEMI FIXED(10K OHM) HVN1RA103B01T
MAIN	VR22		90M-RA000930R	90M-RA000930R	TRIM. RES.	RES, SEMI FIXED(100K OHM) HVN1RA104B01T
MAIN	VR31		90M-RA000930R	90M-RA000930R	TRIM. RES.	RES, SEMI FIXED(100K OHM) HVN1RA104B01T
MAIN	VR32		90M-RA000930R	90M-RA000930R	TRIM. RES.	RES, SEMI FIXED(100K OHM) HVN1RA104B01T
MAIN	X201		90M-FF100190R	90M-FF100190R	CER. FILTER	FILTER , CERAMIC HVFLZU450C4N
MAIN	X301		90M-FQ000390R	90M-FQ000390R	CER. VIB.	RESONATOR , CERAMIC HVFZTB456F11
MAIN	X601		00MJX07001261	00MJX07001261	X'TAL	AD0618CTB 7.2MHZ HOX07200A200C
MAIN	X801		90M-JX000540R	90M-JX000540R	X'TAL	4.332MHZ HOX04332A200C
					<b>POWER PWB</b>	
POWER	BK01		nsp	nsp	BRACKET	BRACKET PWB CMD1A387
POWER	BN72		nsp	nsp	CORD	WIRE ASSY CWB1C007220BM
POWER	BN74		nsp	nsp	CORD	WIRE ASSY CWB1C902150BM
POWER	C750		nsp	nsp	FILM CAP.	0.1UF 50V ZF CCFT1H104ZF
POWER	C751		nsp	nsp	CER. CAP.	0.022UF 50V Z CCFT1H223ZF
POWER	C752		nsp	00MOA10701620	ELECT CAP.	100UF 16V CCEA1CH101T
POWER	C753		nsp	nsp	CER. CAP.	0.01UF 50V Z CCFT1H103ZF
POWER	C754		nsp	00MOA10802520	ELECT CAP.	1000UF 25V CCEA1EH102E
POWER	▲ C755		90M-DK100770R	90M-DK100770R	CER. CAP.	! 0.0047UF 2.5KV KCKDKS472ME
POWER	CN71		00MYP04000760	00MYP04000760	CONN.	7.92MM(YUNHO) CJP02KA060ZY
POWER	CN73		nsp	nsp	CONN.	STRAIGHT, 3PIN CJP03GA19ZY
POWER	D751		nsp	90M-HD201730R	DIODE	1N4003 KVD1N4003ST
POWER	D752		nsp	00MHD20015210	DIODE	1SS133T-77 HVD1SS133MT
POWER	D753		nsp	00MHD20015210	DIODE	1SS133T-77 HVD1SS133MT
POWER	D755		nsp	90M-HD201750R	DIODE	1N4003 CVD1N4003SRT
POWER	D756		nsp	00MHD20015210	DIODE	1SS133T-77 HVD1SS133MT
POWER	F701		nsp	nsp	CONN.	HOLDER, FUSE KJCF5S
POWER	▲ IC71		90M-HC300500R	90M-HC300500R	IC	! KA7805-ABTU HVIMC7805C
POWER	J601		nsp	nsp	CORD	SN95/PB5, 0.6 C3A206
POWER	J702		nsp	nsp	CORD	SN95/PB5, 0.6 C3A206
POWER	Q751		90M-HT900080R	90M-HT900080R	TRS.	KSD1021Y HVTKSD1021YT
POWER	R752		nsp	nsp	RES.	10K OHM 1/5W J CRD20TJ103T
POWER	R753		nsp	nsp	RES.	47K OHM 1/5W J CRD20TJ473T
POWER	R754		nsp	nsp	RES.	10 OHM 1/4W J CRD25TJ100T
POWER	▲ RY71		00MLY10090010	00MLY10090010	RELAY	! SDT-S-109DMR HSL1D016ZE
POWER	▲ T701		90M-TS002650R	90M-TS002650R	TRANSF.	! MAIN ST6001 CLT5L048YW
POWER	▲ T702		90M-TS001940R	90M-TS001940R	TRANSF.	! SUB SR5400(6400)/N1 CLT5I002ZE

NOTE : \*nsp\* PART IS LISTED FOR REFERENCE ONLY, MARANTZ WILL NOT SUPPLY THESE PARTS.